



高速筒式绷缝机 ZJ-W122-C1

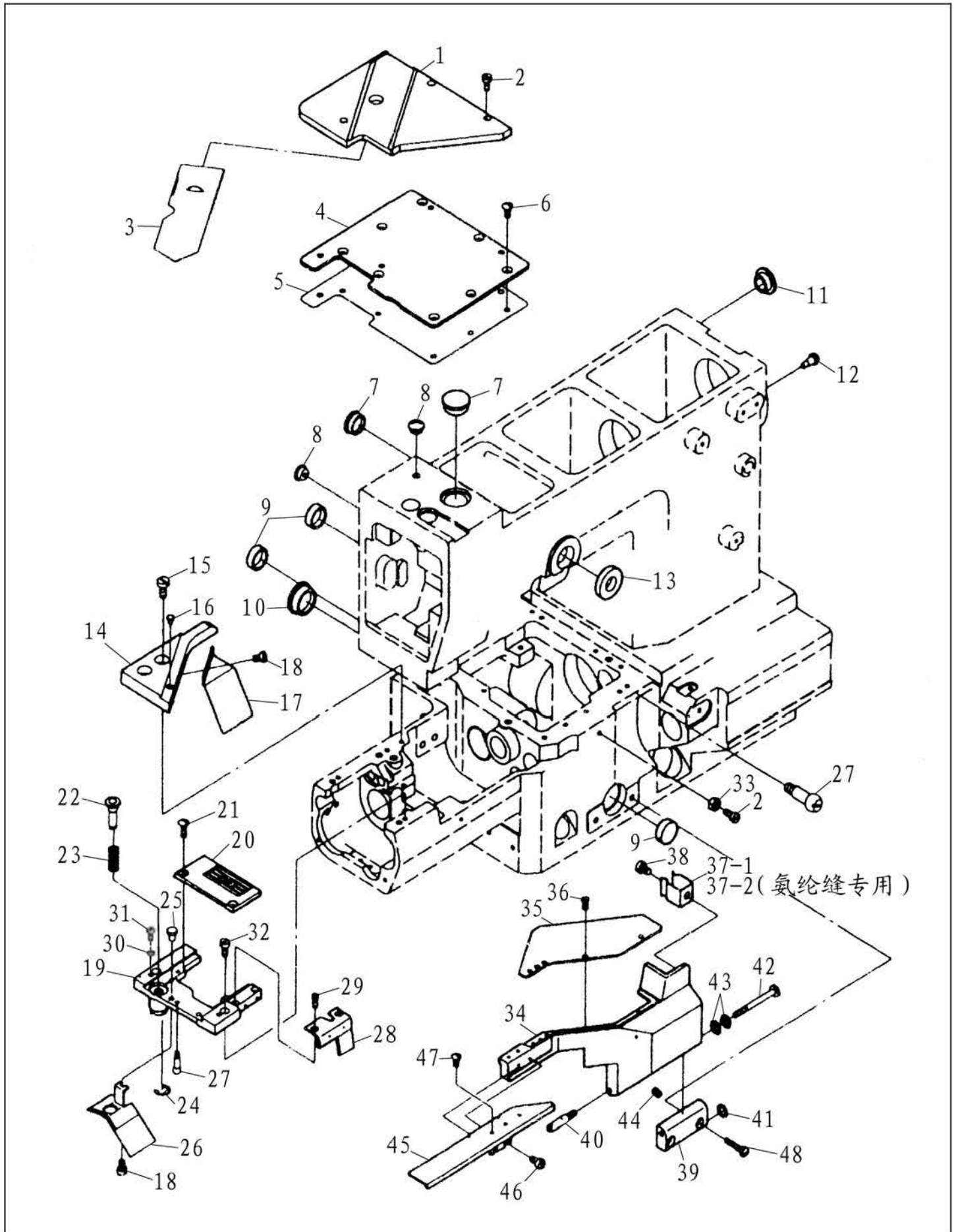
SUPER HIGH SPEED CYLINDER BED INTERLOCK SEWING MACHINE

零件手册

PARTS BOOK

中国·中捷缝纫机股份有限公司
ZOJE SEWING MACHINE CO., LTD.

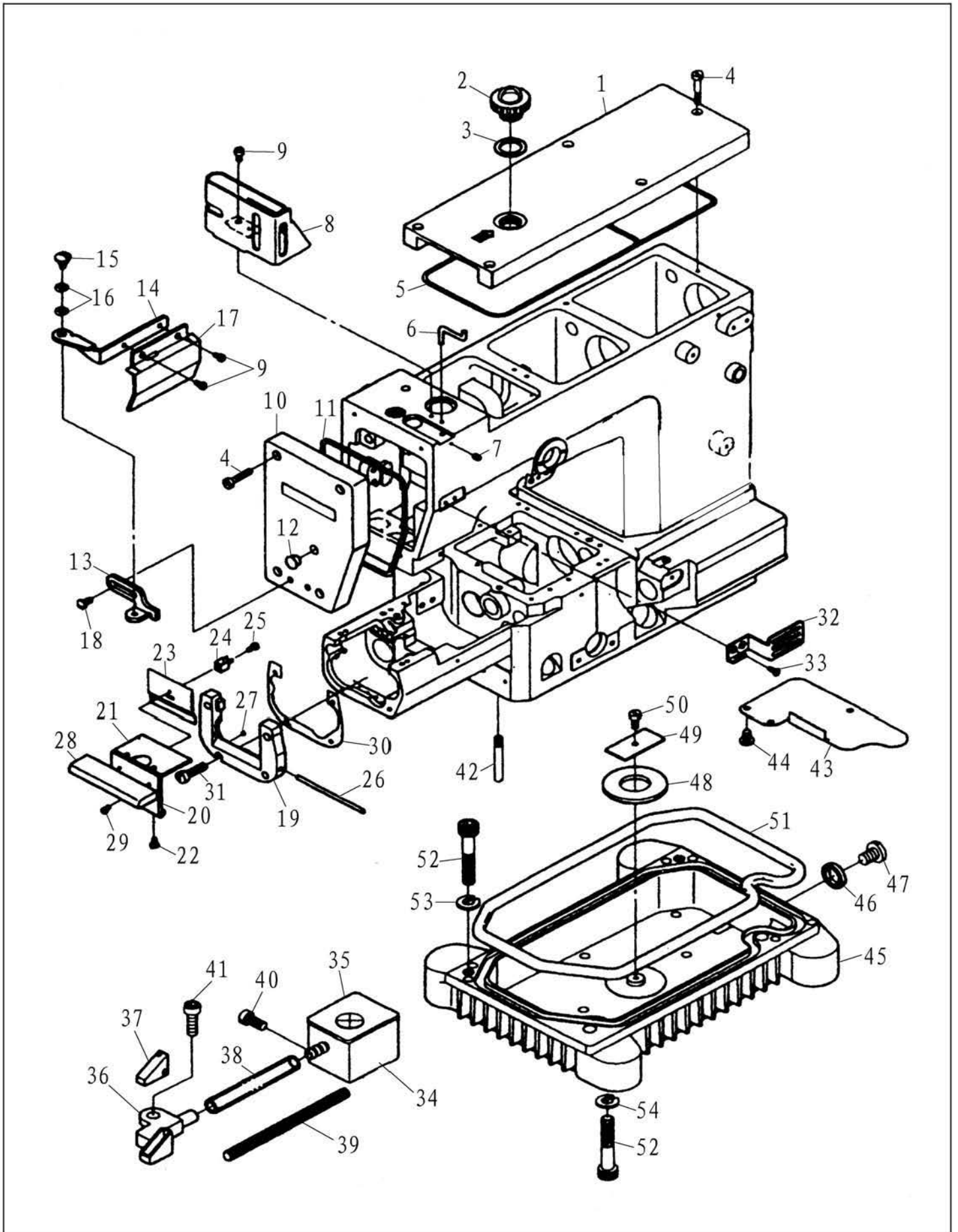
目录	CONTENTS	页/PAGE
1 机壳部件(1)	MISCELLANEOUS COVERS(1)	12
2 机壳部件(2)	MISCELLANEOUS COVERS(2)	14
3 过线部件	MISCELLANEOUS THREAD EYELETS	16
4 上轴及挑线部件	UPPER SHAFT & NEEDLE THREAD TAKE-UP MECHANISM	18
5 抬压脚部件	PRESSER FOOT MECHANISM	20
6 针杆及绷针部件	NEEDLE BAR & SPREADER MECHANISM	22
7 主轴部件	MAIN SHAFT DRIVING MECHANISM	24
8 弯针部件	LOOPER DRIVING MECHANISM	26
9 差动送布部件	FEED DRIVING MECHANISM	28
10 差动调节部件	FEED DRIVING CONTROL MECHANISM	30
11 润滑部件	LUBRICATING MECHANISM	32
12 滚领专用零部件	SUBMODEL EXCLUSIVE PARTS	34
13 倒骨专用零部件	SEAMS COVERING EXCLUSIVE PARTS	36
14 氨纶专用零部件(1)	Urethane Stitch EXCLUSIVE PARTS(1)	38
15 氨纶专用零部件(2)	Urethane Stitch EXCLUSIVE PARTS(2)	40
16 支承板	SUPPORTING BOARD	42
17 线架	THREAD STAND	44
18 附件盒	ATTACHMENT BOX	46
19 包装箱	BOX	48



机壳部件(1)

MISCELLANEOUS COVERS(1)

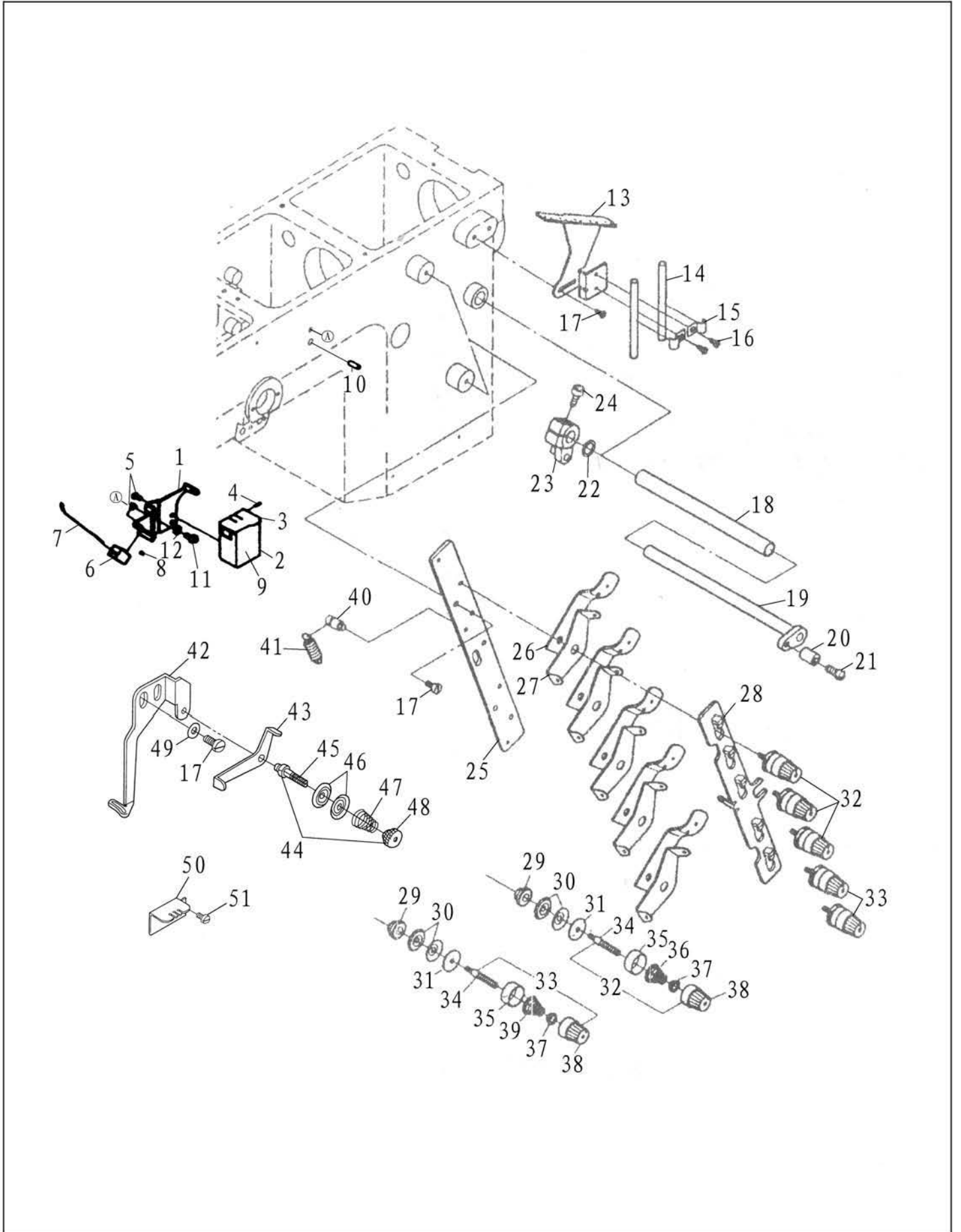
序号 No.	件号 Pars No.	名称	Description	数量 Number
1	20003655	上罩板组件	Cover board components on	1
2	10013178	螺钉(M4×12)	Screw(M4×12)	4
3	10012596	上罩板推板	On blister push board	1
4	10012588	弯针传动盖	Crant Chamber Cover	1
5	10012595	弯针传动盖防油垫	Crant Chamber Cover Gasket	1
6	10012641	螺钉(M4×6.4)	Screw(M4×6.4)	7
7	10010780	橡胶塞	Seal Pulg	2
8	10010720	橡胶塞	Seal Pulg	2
9	10011186	油封	Oil Seal	3
10	10012764	橡胶塞	Seal Pulg	1
11	10013171	橡胶塞	Seal Pulg	1
12	10002840	铆钉	Rivet	1
13	10009399	油封	Oil Seal	1
14	20003602	针板后罩板	Needle plate back plate	1
15	10011794	螺钉(M4×10)	Screw(M4×10)	2
16	10012726	防震垫	Gasket	1
17	10012729	下轴挡油座	Next axle gear oil seat	1
18	10012549	螺钉(M3.5×4.5)	Screw(M3.5×4.5)	3
19	10012687	针板接板组件	Stitch Plate Support	1
20	*	针板	Stitch Plate	1
21	10012688	螺钉(M3.5×4.5)	Screw(M3.5×4.5)	2
22	10012727	针距按钮	Stitch button	1
23	10012725	弹簧	Spring	1
24	10009669	挡圈	Block circle	1
25	10012726	防震垫	Gasket	2
26	10012689	挡油座组件	Block oil seat components	1
27	10012721	螺钉	Screw	2
28	10012682	针板接板罩	Stitch Plate Support Cover	1
29	10012730	螺钉(M3×5.6)	Screw(M3×5.6)	2
30	10013872	针板架定位销	Knock Pin	2
31	10012253	螺钉(M3×8)	Screw(M3×8)	2
32	10013938	螺钉(M4×10)	Screw(M4×10)	2
33	10009471	螺母	Nut	1
34	20003599	穿线罩板	Front Cover	1
35	20003654	穿线罩板盖	Front Cover (Upper)	1
36	10012642	螺钉(M3.5×7)	Screw(M3.5×7)	3
37-1	10011220	弹簧	Spring	1
37-2	10012699	弹簧	Spring	1
38	10012728	螺钉(M3.5×4)	Screw(M3.5×4)	1
39	20003623	穿线罩板铰链	Front Cover Hinge	1
40	10012598	螺钉(M4×8)	Screw(M4×8)	1
41	10003073	垫圈	Washer	1
42	10012592	螺钉(M4×30)	Screw(M4×30)	1
43	10003026	垫圈	Washer	2
44	10009074	螺钉(M4×4)	Screw(M4×4)	1
45	10012597	穿线罩板接板	Front Cover Plate	1
46	10010594	螺钉(M4×7.5)	Screw(M4×7.5)	2
47	10012599	螺钉(M5×7.8)	Screw(M5×7.8)	2
48	10012594	螺钉(M4×18.5)	Screw(M4×18.5)	2



机壳部件(2)

MISCELLANEOUS COVERS(2)

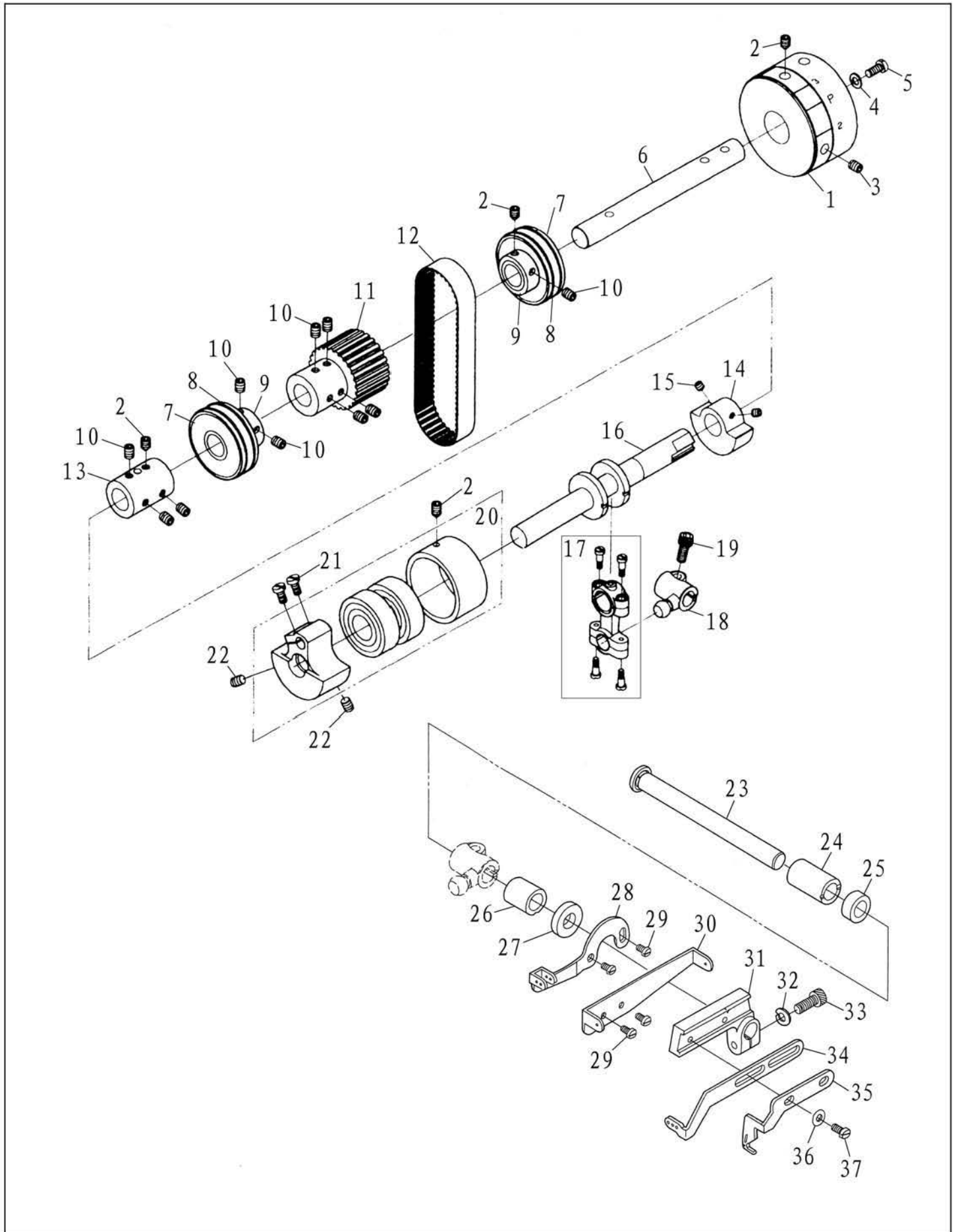
序号 No.	件号 Pars No.	名称	Description	数量 Number
1	20003808	上盖	Top Cover	1
2	10010770	喷油窗	Oil Sight Window	1
3	10003798	O形圈	O-ring	1
4	10010766	螺钉(M4×20)	Screw(M4×20)	9
5	10010773	上盖密封垫	Top Cover Gasket	1
6	10010767	绷线紧勾	Stretchs tight line tight hook	1
7	10011314	螺钉(M4×6)	Screw(M4×6)	1
8	10010771	上挑线罩座	Pick line mask seat on	1
9	10002924	螺钉(M4×6)	Screw(M4×6)	4
10	20003787	面板	Head Cover	1
11	10010776	面板密封垫	Head Cover Gasket	1
12	10010720	橡胶塞	Seal Pulg	1
13	10011126	防护罩座	Safety Plate Support	1
14	10011907	防护罩支架	Safety Plate Holder	1
15	10010828	螺钉	Screw	1
16	10009470	垫圈	Washer	2
17	10011127	防护罩	Safety Plate	1
18	10007068	螺钉(M4×10)	Screw(M4×10)	2
19	20003601	前罩铰链座	Former cover hinge mount	1
20	20003617	前罩铰链	Former cover hinge	1
21	10012546	前罩前板	Before former cover plate	1
22	10012511	螺钉(M3×5)	Screw(M3×5)	2
23	10012510	弹簧	Spring	1
24	10012548	弹簧	Spring	1
25	10012512	螺钉(M3.5×5.8)	Screw(M3.5×5.8)	1
26	10012544	销	Pin	1
27	10009074	螺钉(M4×4)	Screw(M4×4)	1
28	10012543	前罩板组件	Cylinder Side Cover	1
29	10012549	螺钉(M3.5×4.5)	Screw(M3.5×4.5)	2
30	10012731	前罩铰链座垫	Gasket	1
31	10012507	螺钉(M3.5×10)	Screw(M3.5×10)	4
32	10010775	挑线防护罩	Pick line shields	1
33	10010769	螺钉(M4×7.8)	Screw(M4×7.8)	2
34	10012542	硅油储盒	HP Container	1
35	10012551	硅油储盒盖	HP Container Cover	1
36	10012547	硅油盒壳体	HP Cup	1
37	10012552	毛毡	HP Felt	1
38	10007796	油管 φ4×φ6×45	Oil Tube	1
39	10008075	油线 φ2×80	Oil Tube	1
40	10012509	螺钉(M3.5×8)	Screw(M3.5×8)	2
41	10012553	螺钉(M4×8)	Screw(M4×8)	1
42	10012684	底板支柱	Machine Frame Supporting Bar	4
43	10012683	底罩板	Dust Proot Plate	1
44	10012723	螺钉(M4×5)	Screw(M4×5)	3
45	10012545	油盘	Oil Reservoir	1
46	10009263	垫圈组件	Washer	1
47	10009264	螺钉(SM3/8"×28)	Screw(SM3/8"×28)	1
48	10004427	油盘磁铁	Magnet	1
49	10012110	压板	Magnet Holder	1
50	10002963	螺钉(M4×10)	Screw(M4×10)	1
51	10012541	油盘垫	Oil Reservoir Gasket	1
52	10003142	螺钉(M8×25)	Screw(M8×25)	4
53	10006282	垫圈	Washer	2
54	10003331	垫圈	Washer	2



过线部件

MISCELLANEOUS THREAD EYELETS

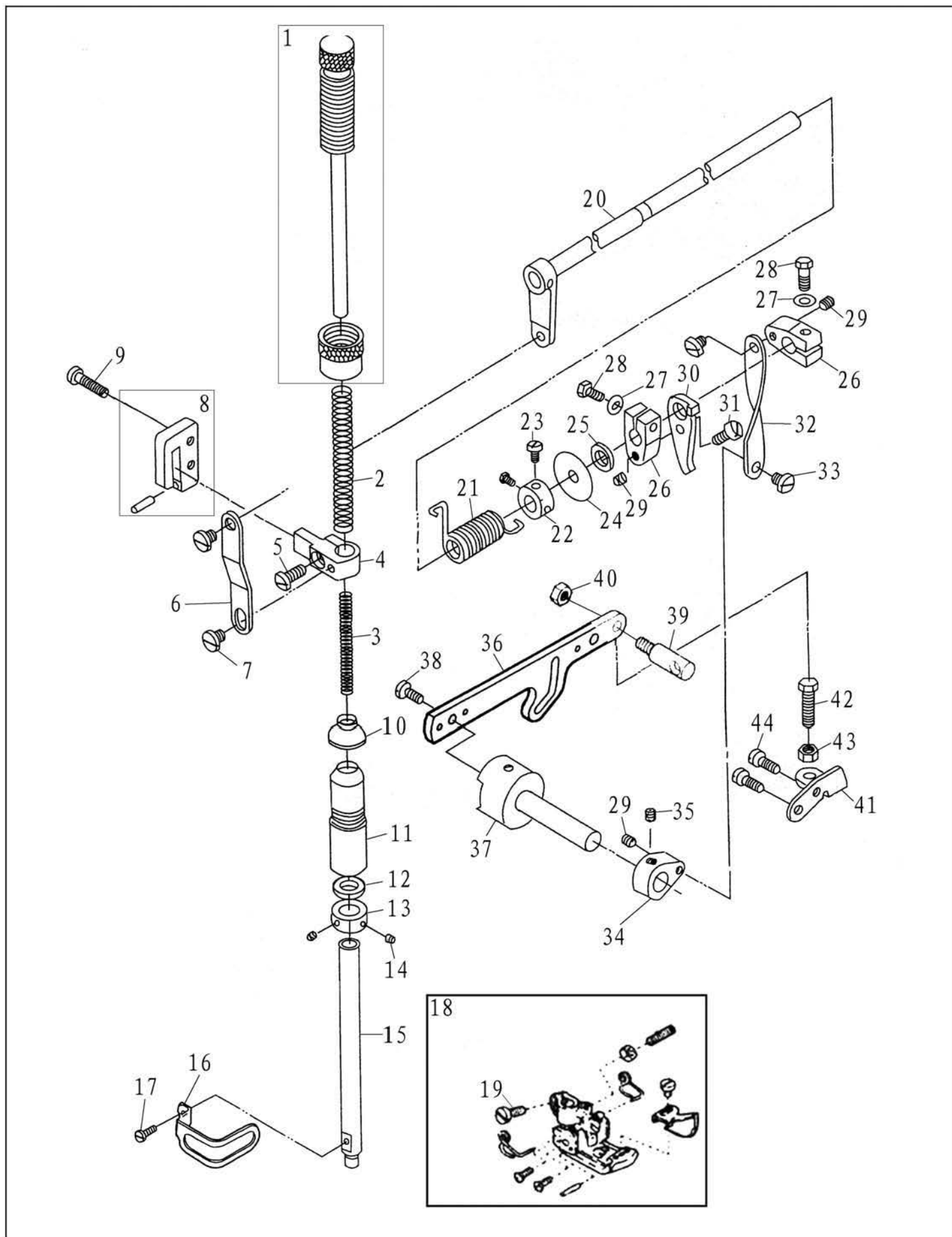
序号 No.	件号 Pars No.	名称	Description	数量 Number
1	10010765	硅油过线架	Needle Thread Eyelet	1
2	20003809	上硅油盒	On silicon oil box	1
3	10010768	上硅油盖	On silicone cover	1
4	10010689	销	Pin	2
5	10007654	螺钉(M3×5)	Screw(M3×5)	4
6	10010772	硅油挑线座	Silicone seat selects the line	1
7	10010826	挑线钉	Pick line nail	3
8	10013019	螺钉(M3×4)	Screw(M3×4)	3
9	10010825	毛毡	Felt	1
10	10003477	销	Pin	1
11	10010594	螺钉(M4×7.5)	Screw(M4×7.5)	1
12	10002954	垫圈	Washer	1
13	10011933	总过线板	Thread Guide Plate	1
14	10014247	绷线导管	Thread Eyelet Pipe	2
15	10011930	过线导管压板	Linking piece	2
16	10003065	螺钉(M4×5)	Screw(M4×5)	2
17	10002881	螺钉(M4×8)	Screw(M4×8)	6
18	10011985	油管	Tubing	1
19	10011990	松线横轴	Loose thread the horizontal axis	1
20	10011987	松线滚柱	Loose thread roller	1
21	10002959	螺钉(M4×16)	Screw(M4×16)	1
22	10003031	垫圈	Washer	1
23	10014246	横轴曲柄组件	The horizontal axis of the crank components	1
24	10012073	螺钉(M5×16)	Screw(M5×16)	1
25	10011978	过线座	Tension Post Support	1
26	10011934	导线板	Thread Lead-in Guide	5
27	10011936	压线过线板	Tension Disc Eyelet	5
28	10004801	松线板	Tension Disc Separater	1
29	10011983	松线板导柱	Tension Post Ferrule	5
30	10011935	夹线板	Tension Disc	10
31	10011939	毛毡	Felt	5
32	10022060	夹线螺母组件	Thread clamp nut components	3
33	10022844	夹线螺母组件	Thread clamp nut components	2
34	10004820	螺钉	Screw	5
35	10004833	夹线座	Thread Tension Spring Retainer	5
36	10007863	弹簧	Spring	3
37	10004834	夹线防松圈	Tension Spring Disc Support	5
38	10004835	螺母	Nut	5
39	10007848	弹簧	Spring	2
40	10011982	复位销	Pin	1
41	10011984	弹簧	Spring	1
42	10012077	绷针过线下过线板	Top Cover Thread Guide	1
43	10012067	绷线过线板	Supplementary Thread Guide	1
44	10007929	过线小夹线器组件	The line is small thread clamp components	1
45	10004864	螺钉	Screw	1
46	10004866	绷线过线小夹线板	Supplementary Tension Disc	2
47	10004843	弹簧	Spring	1
48	10004865	螺母	Nut	1
49	10003083	垫圈	Washer	2
50	10011297	针线过线板	Needle and thread board	1
51	10002924	螺钉(M4×6)	Screw(M4×6)	1



上轴及挑线部件

UPPER SHAFT & NEEDLE THREAD TAKE-UP MECHANISM

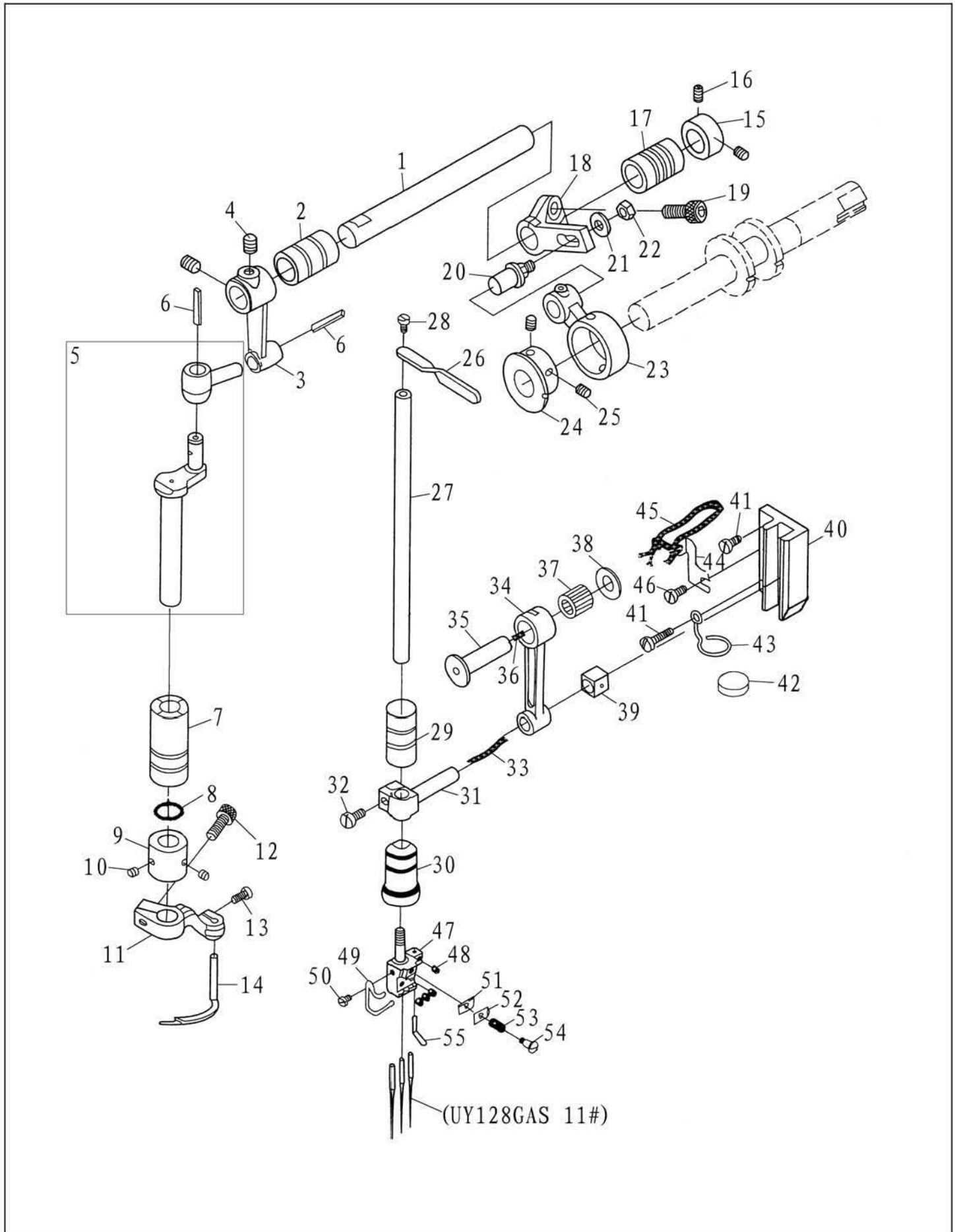
序号 No.	件号 Pars No.	名称	Description	数量 Number
1	20004102	手轮	Hand Wheel	1
2	10011966	螺钉(M6×8)	Screw(M6×8)	4
3	10009187	螺钉(M6×8)	Screw(M6×8)	1
4	10003073	垫圈	Washer	1
5	10003058	螺钉(M5×14)	Screw(M5×14)	1
6	10012785	上轴后节	Upper Shaft	1
7	10025876	轴承	Bearing	2
8	10011923	O形圈	O-ring	4
9	10012034	上轴衬套	Hand Wheel Adapter	2
10	10011969	螺钉(M6×5)	Screw(M6×5)	10
11	10012801	从动时规轮	Upper Shaft Sprocher	1
12	10008146	同步齿形带	Timing Belt(Upper)	1
13	10011964	联轴器	Upper Shaft Joint	1
14	10014121	平衡块上	Counterweight	1
15	10012162	螺钉(M5×5)	Screw(M5×5)	2
16	10011972	上轴前节	Upper Crankshaft	1
17	10008020	挑线连杆组件	Connecting Rod	1
18	10004759	挑线球曲柄	Driving Lever	1
19	10012024	螺钉(M6×15)	Screw(M6×15)	1
20	10014260	针杆曲柄组件	Needle bar crank components	1
21	10012040	螺钉(M5×11)	Screw(M5×11)	2
22	10012035	螺钉(M6×12)	Screw(M6×12)	2
23	10011301	挑线杆轴	Driving Shaft	1
24	10011125	轴套	Bushing	1
25	10011285	挑线轴隔套	Bushing	1
26	10011124	轴套	Bushing	1
27	10009399	油封	Oil Seal	1
28	10011291	张线杆	String	1
29	10002924	螺钉(M4×6)	Screw(M4×6)	4
30	10011300	上过线板	On line board	1
31	10012074	挑线杆座	Bracket	1
32	10005537	垫圈	Washer	1
33	10012073	螺钉(M5×16)	Screw(M5×16)	1
34	10012072	挑线杆	Needle Thread Take-up	1
35	10012069	上叉挑线杆	Top Cover Thread Take-up	1
36	10003083	垫圈	Washer	2
37	10007068	螺钉(M4×10)	Screw(M4×10)	2



抬压脚部件

PRESSER FOOT MECHANISM

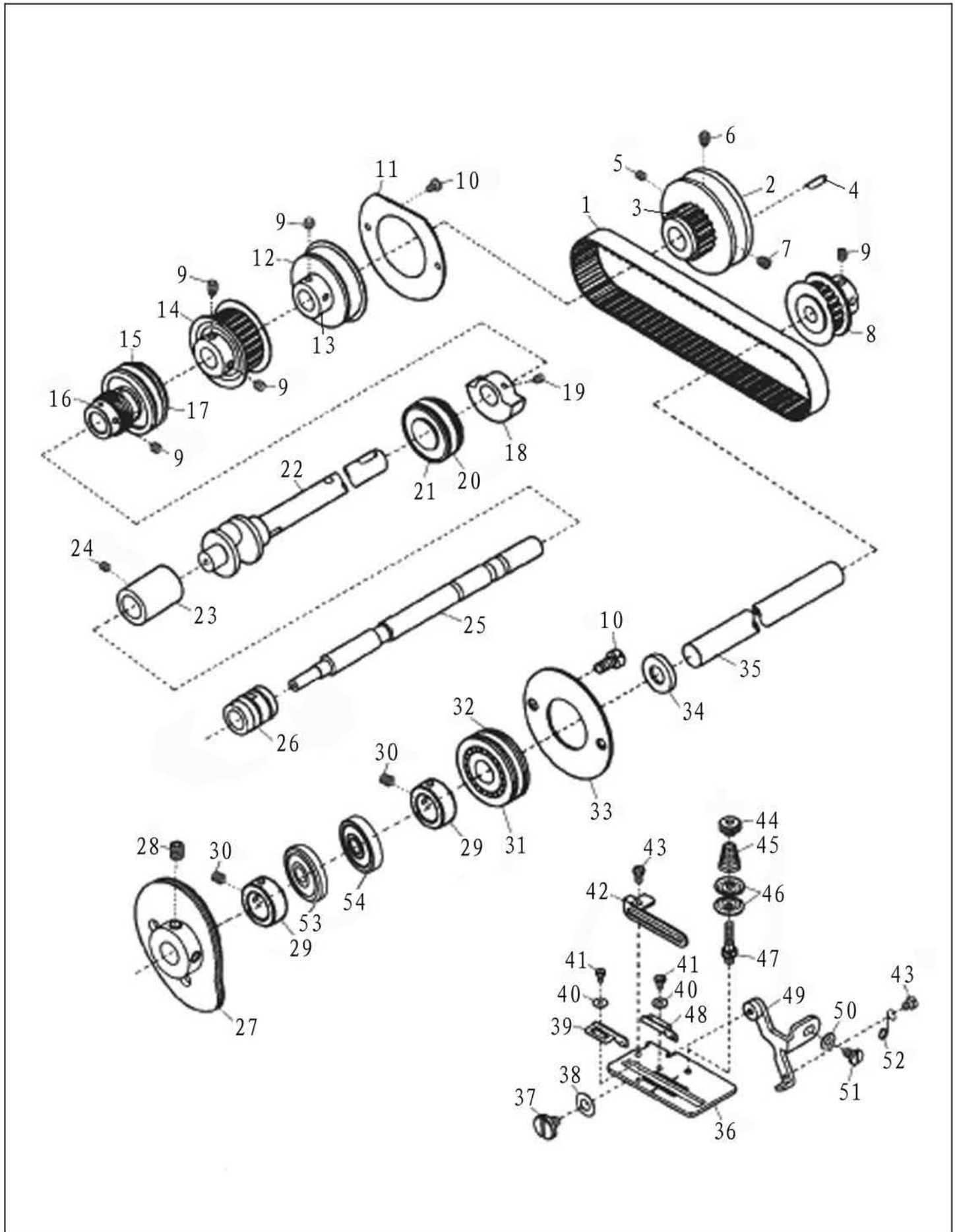
序号 No.	件号 Pars No.	名称	Description	数量 Number
1	10007856	调压螺钉螺母组件	Screw nut components	1
2	10011942	弹簧	Spring	1
3	10011928	弹簧	Spring	1
4	10011407	压紧杆导架	Compaction stem guide frame	1
5	10011405	螺钉 (SM11/64"×40)	Screw(SM11/64"×40)	1
6	10011398	抬压脚吊板	Carried presser foot condole board	1
7	10011393	螺钉 (SM3/16"×32)	Screw(SM3/16"×32)	2
8	10014314	压紧杆导架块组件	Compaction stem guide frame block components	1
9	10003055	螺钉 (M4×20)	Screw(M4×20)	2
10	10011457	压紧杆防油罩	Oil Protector Cover	1
11	10011941	轴套	Bushing	1
12	10011940	油封	Oil Seal	1
13	10011401	挡圈	Block circle	1
14	10009255	螺钉 (SM1/8"×44)	Screw(SM1/8"×44)	2
15	10011929	压紧杆	Presser Bar	1
16	10011996	压脚防护罩	Finger Guard	1
17	10002940	螺钉 (M3×6)	Screw(M3×6)	1
18	*	压脚组件	Presser Foot, Complete Set	1
19	10009115	螺钉 (M3.5×8)	Screw(M3.5×8)	1
20	10014242	抬压脚轴组件	Carried presser foot shaft assembly	1
21	10011932	弹簧	Spring	1
22	10011406	挡圈	Block circle	1
23	10011404	螺钉 (SM9/64"×40)	Screw(SM9/64"×40)	2
24	10011931	垫圈	Washer	1
25	10011938	抬压脚轴隔套	Washer	1
26	10011395	抬压轴曲柄	Carried against the crank	2
27	10010846	垫圈	Washer	2
28	10011625	螺钉 (SM11/64"×40)	Screw(SM11/64"×40)	2
29	10011802	螺钉 (SM11/64"×40)	Screw(SM11/64"×40)	3
30	10011408	抬压轴曲柄挡块	Lift anchor block block crank	1
31	10011394	螺钉 (SM11/64"×40)	Screw(SM11/64"×40)	1
32	10011944	抬压脚吊杆	Carried presser foot bridges. according	1
33	10011403	螺钉 (SM11/64"×40)	Screw(SM11/64"×40)	2
34	10011400	抬压脚挺线曲柄	Lifter Lever	1
35	10012162	螺钉 (M5×5)	Screw(M5×5)	1
36	10011402	抬压脚拉杆	Carried presser foot bars	1
37	10011396	抬压脚拉杆座	Carried presser foot lever block	1
38	10003057	螺钉 (M5×10)	Screw(M5×10)	1
39	10012787	抬压脚链钩销	Pin	1
40	10003084	螺母	Nut	1
41	10011937	抬压脚拉杆限位板	Lift presser foot lever limit board	1
42	10002731	螺钉 (M5×35)	Screw(M5×35)	1
43	10009467	螺母	Nut	1
44	10007068	螺钉 (M4×10)	Screw(M4×10)	2



针杆及绷针部件

NEEDLE BAR & SPREADER MECHANISM

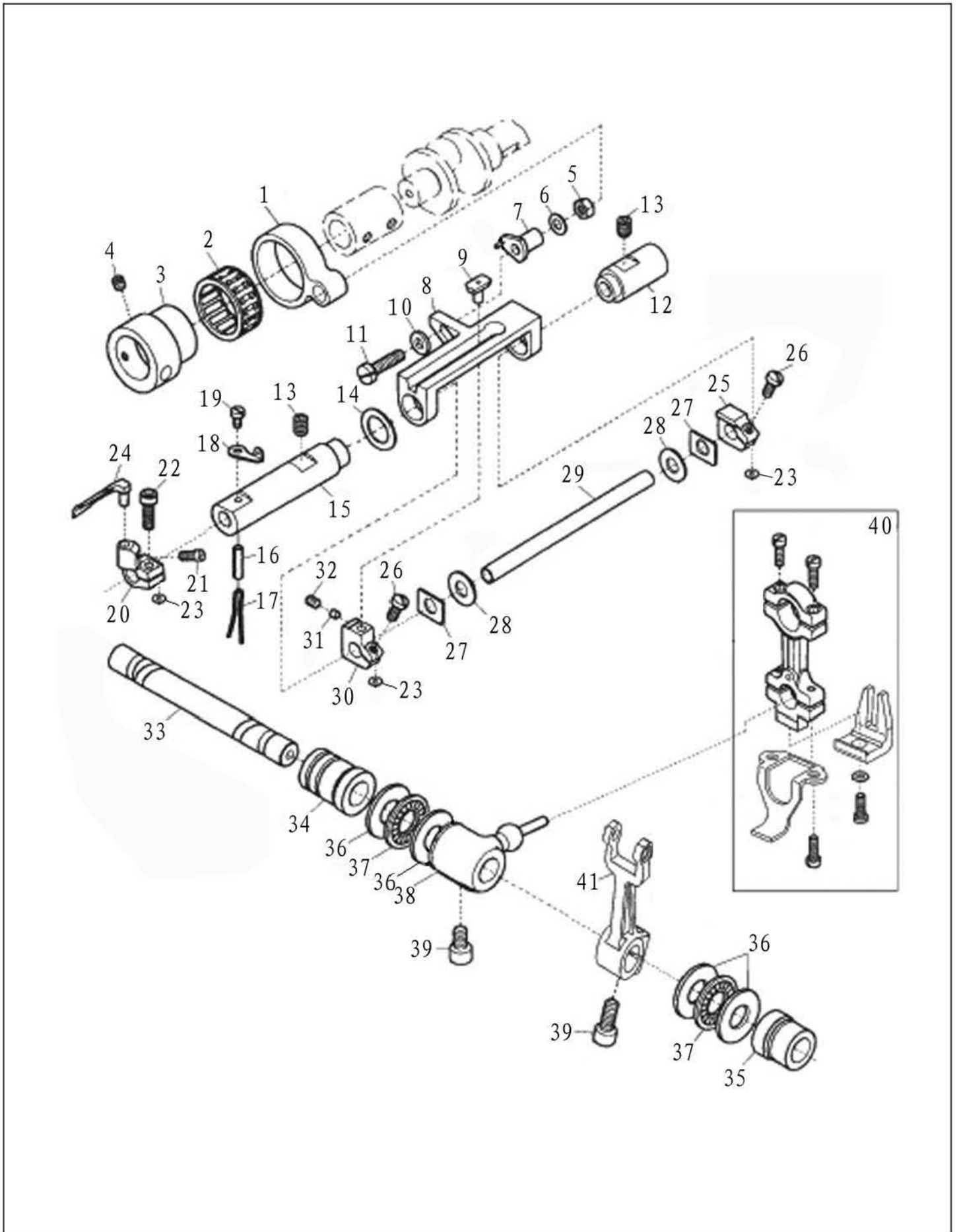
序号 No.	件号 Pars No.	名称	Description	数量 Number
1	10011336	绷针横轴	Driving Shaft	1
2	10011093	轴套	Bushing	1
3	10011289	绷针上摆杆	Rocking Arm	1
4	10011292	螺钉(M6×6)	Screw(M6×6)	2
5	10007820	绷针曲柄连接柱组件	Needle Bar Rocking Arm, Complete Set	1
6	10008089	油线 φ3×15	Oil line	2
7	10011120	轴套	Bushing	1
8	10011399	绷针曲柄密封圈	Oil Seal	1
9	10011283	挡圈	Block circle	1
10	10010822	螺钉(M4×3)	Screw(M4×3)	2
11	10011290	绷针下摆杆	Spreader Holder	1
12	10003102	螺钉(M4×12)	Screw(M4×12)	1
13	10011287	螺钉(M4×12)	Screw(M4×12)	1
14	10011356	绷针	Spreader	1
15	10011284	挡圈	Block circle	1
16	10012014	螺钉(M5×4)	Screw(M5×4)	2
17	10011130	轴套	Bushing	1
18	10011293	绷针调节摆杆	Adjusting Lever	1
19	10012024	螺钉(M6×15)	Screw(M6×15)	1
20	10011288	螺钉	Screw	1
21	10011653	垫圈	Washer	1
22	10002989	螺母	Nut	1
23	10012076	绷针连杆	Connecting Rod	1
24	10012068	绷针凸轮	Eccentric	1
25	10012162	螺钉(M5×5)	Screw(M5×5)	2
26	10011342	针杆上过线	Needle bar on the line	1
27	10011347	针杆	Needle Bar	1
28	10011357	螺钉(M3×6)	Screw(M3×6)	1
29	10011132	轴套	Bushing	1
30	10011911	轴套	Bushing	1
31	10011352	针杆连接柱	Needle Bar Bracket	1
32	10011343	螺钉(SM11/64"×40)	Screw(SM11/64"×40)	1
33	10008066	油线 φ2.5×40	Oil line	1
34	10011353	针杆连杆	Connecting Rod	1
35	10011346	销	Pin	1
36	10008072	油线 φ2×34	Oil line	1
37	10007752	轴承	Bearing	1
38	10011339	垫圈	Washer	1
39	10011340	针杆滑块	Slide Block	1
40	10011344	针杆滑块座	Needle Bar Guide	1
41	10011287	螺钉(M4×12)	Screw(M4×12)	2
42	10011354	毛毡	Felt	1
43	10011341	油毡定位圈	Linoleum positioning circle	1
44	10011303	油线定位板	Oil line position-board	1
45	10008072	油线 φ2×480	Oil line	1
46	10011397	螺钉(M3.5×5)	Screw(M3.5×5)	1
47	*	针夹	Needle Clamp	1
48	10009255	螺钉(SM1/8"×44)	Screw(SM1/8"×44)	4
49	10011351	针夹线勾	Needle thread clamp hook	1
50	10011355	螺钉(SM1/8"×44)	Screw(SM1/8"×44)	1
51	10011349	针夹过线板	Thread Retainer Disc Support	1
52	10011345	针夹过线压板	Needle Thread Retainer Disc	1
53	10011338	弹簧	Spring	1
54	10011348	螺钉(SM1/8"×44)	Screw(SM1/8"×44)	1
55	10011299	针夹右过线	Top Cover Thread Eyelet	1



主轴部件

MAIN SHAFT DRIVING MECHANISM

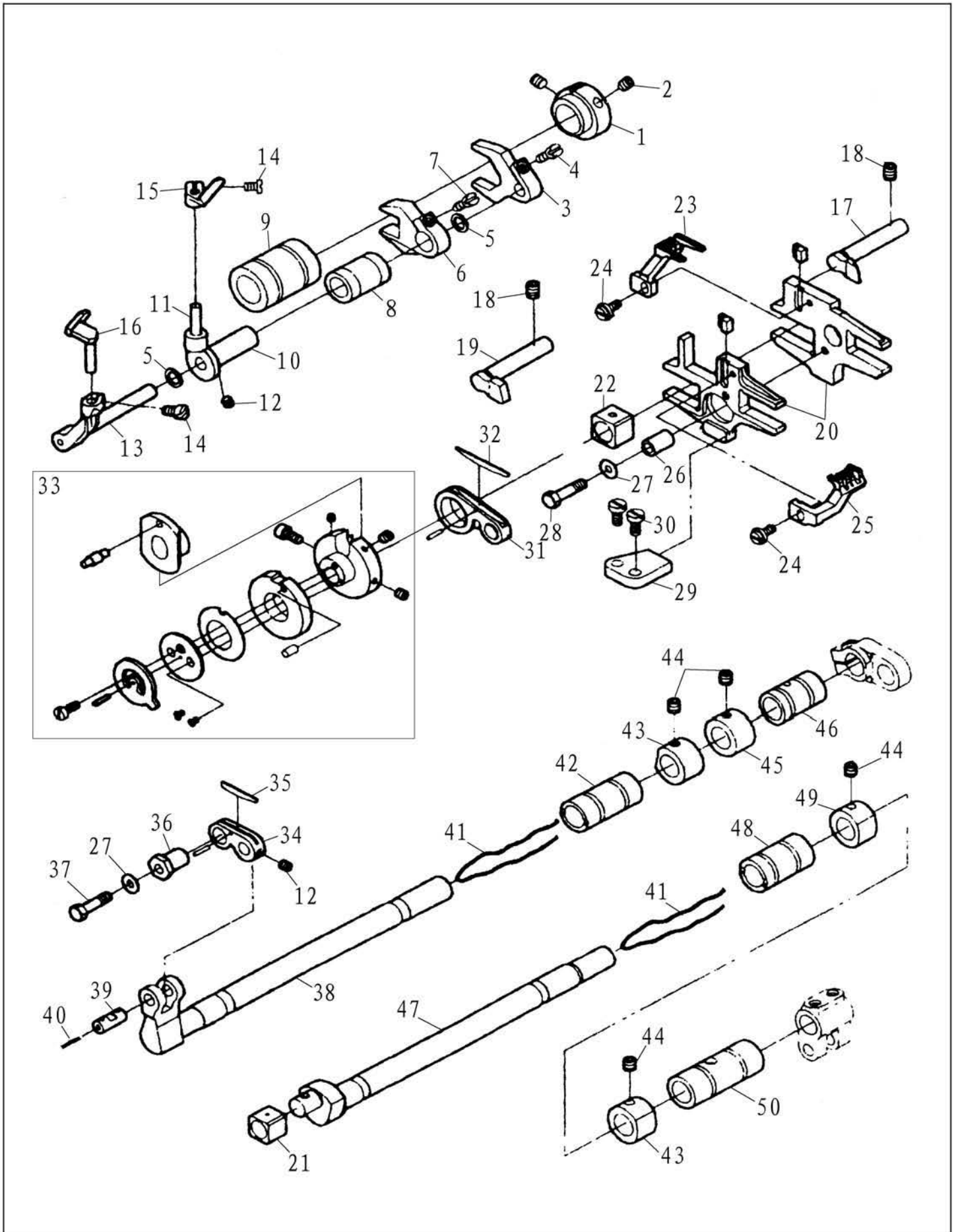
序号 No.	件号 Pars No.	名称	Description	数量 Number
1	10008124	下过线同步齿形带	Timing Belt	1
2	10012826	从动轮	Pulley	1
3	10012827	下过线主动时规轮	Looper Thread Take-up Driving Sprocket	1
4	10003475	键	Pin	1
5	10009187	螺钉 (M6×8)	Screw(M6×8)	2
6	10012828	螺钉 (M6×5)	Screw(M6×5)	1
7	10012865	螺钉 (M6×4.5)	Screw(M6×4.5)	1
8	10014361	下过线从动时规轮组件	Looper Thread Take-up Shaft Sprocket	1
9	10011969	螺钉 (M6×5)	Screw(M6×5)	10
10	10014441	螺钉 (M4×6)	Screw(M4×6)	4
11	10014444	压紧环	Rear Cover	1
12	10025862	轴承	Ball Bearing	1
13	10012034	上轴衬套	Ball Bearing Adapter	1
14	10012834	主动时规轮组件	Looper Thread Take-up Driving Sprocket	1
15	10025876	轴承	Ball Bearing	1
16	10011968	蜗杆	Oil Pump Driving Worm	1
17	10011923	O形圈	Seal Ring	2
18	10010955	上轴前接轴平衡块	Counterweight	1
19	10009074	螺钉 (M4×4)	Screw(M4×4)	2
20	10011805	O形圈	Seal Ring	2
21	10025877	轴承	Ball Bearing	1
22	10014438	下轴后节组件	Lower Grankshaft	1
23	10012862	下轴联轴器	Lower Shaft Joint	1
24	10012859	螺钉 (M5×3)	Screw(M5×3)	4
25	10023334	下轴前节组件	Lower Shaft	1
26	10012407	轴套	Bushing	1
27	10010475	打线凸轮组件	Looper Thread Take-up	1
28	10012162	螺钉 (M5×5)	Screw(M5×5)	2
29	10014442	挡圈	Collar	2
30	10014381	螺钉 (M5×2.6)	Screw(M5×2.6)	4
31	10014439	轴承	Ball Bearing	1
32	10014436	O形圈	Seal Ring	2
33	10014465	轴承止动环	Ball Bearing Cover	1
34	10014440	垫圈	Washer	1
35	10014434	下过线传动轴	Looper Thread Take-up Shaft	1
36	10014417	下过线座	Thread Take-up Eyelet Holder	1
37	10014411	螺钉 (M4)	Screw(M4)	1
38	10009470	垫圈	Washer	1
39	10014410	左下过线	Thread Take-up Eyelet (Left)	1
40	10003123	垫圈	Washer	2
41	10014413	螺钉 (M2.5×4)	Screw(M2.5×4)	2
42	10014414	下过线板	Looper Thread Guide	1
43	10012728	螺钉 (M3.5×4)	Screw(M3.5×4)	2
44	10004865	螺母	Nut	1
45	10004843	弹簧	Spring	1
46	10004866	绷线过线小夹线板	Looper Thread Supplementary Tension Disc	2
47	10004864	螺钉	Screw	1
48	10014412	右下过线	Thread Take-up Eyelet (Right)	1
49	10010215	下过线铰链支架组件	Thread Take-up Eyelet Bracket	1
50	10010761	垫圈	Washer	1
51	10011794	螺钉 (M4×10)	Screw(M4×10)	1
52	10012868	弹簧	Spring	1
53	10025873	轴承	Ball Bearing	1
54	10025872	轴承	Ball Bearing	1



弯针部件

LOOPER DRIVING MECHANISM

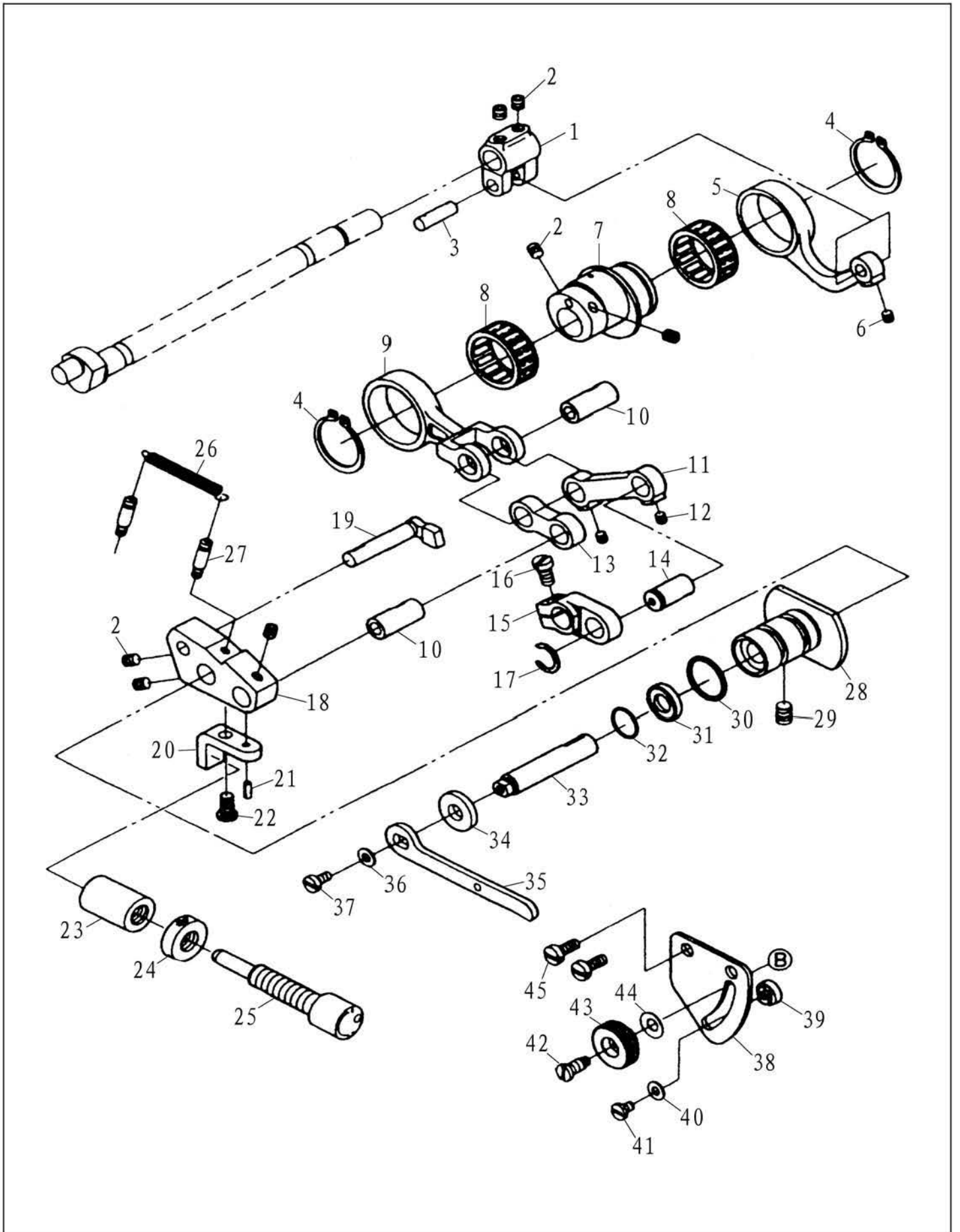
序号 No.	件号 Pars No.	名称	Description	数量 Number
1	10012742	弯针凸轮连杆	Looper Rocker Connecting Rod	1
2	10007742	轴承	Bearing	1
3	10014466	弯针凸轮	Looper Rocker Regulating Eccentric	1
4	10012162	螺钉(M5×5)	Screw(M5×5)	2
5	10009467	螺母	Nut	1
6	10010459	垫圈	Washer	1
7	10014259	弯针调节柱组件	Looper Rocker Adjusting Pin	1
8	10012750	弯针传动座	Slider Holder	1
9	10012741	弯针导架	Slider	1
10	10014471	垫圈	Washer	1
11	10012744	螺钉(M5×30)	Screw(M5×30)	1
12	10012406	轴套	Bushing	1
13	10009187	螺钉(M6×8)	Screw(M6×8)	2
14	10012747	垫圈	Washer	1
15	10014373	轴套	Bushing	1
16	10002848	销	Pin	1
17	10024499	油线 $\phi 2 \times 44$	Oil Wick	1
18	10014472	弯针过线板	Looper Thread Eyelet	1
19	10010467	螺钉(M3.5×4)	Screw(M3.5×4)	1
20	10012743	弯针座	Looper Holder	1
21	10012032	螺钉(M4×7)	Screw(M4×7)	1
22	10012752	螺钉(M4×10)	Screw(M4×10)	1
23	10012756	垫圈	Washer	3
24	10012780	弯针	Looper	1
25	10012745	弯针轴右挡块	Rocker Arm, Holder	1
26	10013178	螺钉(M4×12)	Screw(M4×12)	2
27	10012786	垫圈	Washer	2
28	10012784	垫圈	Washer	2
29	10027629	弯针轴	Looper Bar	1
30	10014473	弯针轴左挡块	Slider Holder	1
31	10012751	弯针导架螺钉压块	Slider Presser	1
32	10009074	螺钉(M4×4)	Screw(M4×4)	1
33	10014369	弯针横轴组件	Looper Shaft	1
34	10012411	轴套	Bushing	1
35	10012405	轴套	Bushing	1
36	10012782	垫圈	Washer	4
37	10007849	轴承	Bearing	2
38	10005592	弯针球曲柄	Looper Driving Lever	1
39	10012024	螺钉(M6×15)	Screw(M6×15)	2
40	10005594	弯针连杆组件	Looper Connecting Rod, Complete Set	1
41	10008750	弯针横轴摆杆	Loop Rocker Arm	1



差动送布部件

FEED DRIVING MECHANISM

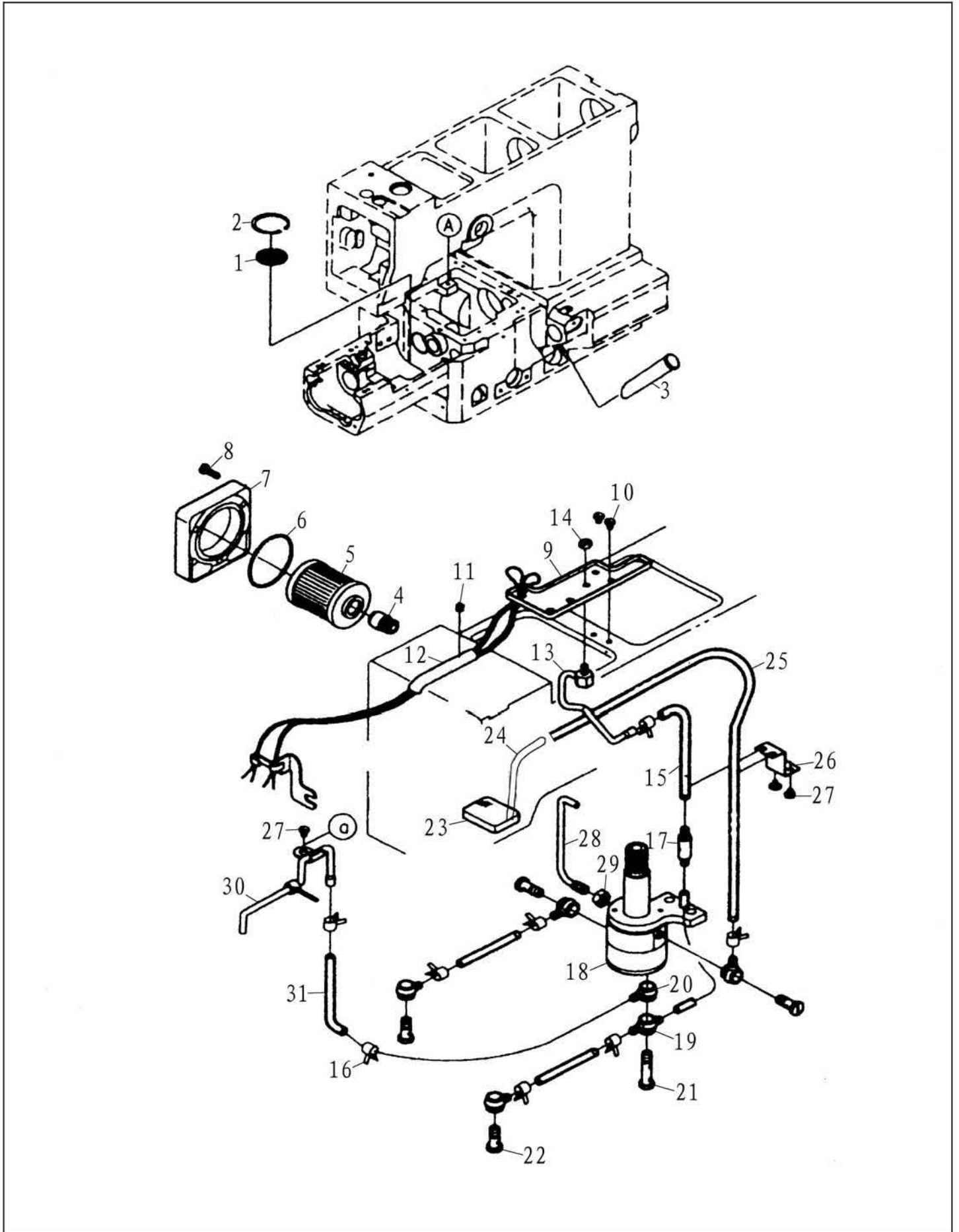
序号 No.	件号 Pars No.	名称	Description	数量 Number
1	10012772	保针凸轮	Needle Guard(Front) Eccentric	1
2	10012162	螺钉(M5×5)	Screw(M5×5)	2
3	10012769	外保针牙叉	Needle Guard(Rear) Lever	1
4	10009115	螺钉(M3.5×8)	Screw(M3.5×8)	1
5	10012830	垫圈	Washer	2
6	10012767	内保针牙叉	Needle Guard(Front) Lever	1
7	10012763	螺钉(M3.5×12)	Screw(M3.5×12)	1
8	10012403	轴套	Bushing	1
9	10012412	轴套	Bushing	1
10	10027637	内保针曲柄	Needle Guard(Front) Holder	1
11	10012771	销	Pin	1
12	10012773	螺钉(M3.5×3)	Screw(M3.5×3)	2
13	10012736	外保针曲柄	Needle Guard(Front) Holder	1
14	10012738	螺钉(M3.5×6.5)	Screw(M3.5×6.5)	2
15	10012832	内保针	Needle Guard(Rear)	1
16	10012829	外保针	Needle Guard(Front)	1
17	10012831	牙架右限位块	Feed Lift Block	1
18	10009187	螺钉(M6×8)	Screw(M6×8)	2
19	10012860	牙架左上限位块	Braces aboveleft set blocks	1
20	10007769	牙架组件	Braces components	1
21	10012690	牙架前滑块	Feed Lift Block(Rear)	1
22	10012864	牙架后滑块	Feed Lift Block(Front)	1
23	*	送料牙	Main Feed Dog	1
24	10011733	螺钉(SM9/64"×40)	Screw(SM9/64"×40)	2
25	*	差动送布牙	Differential Feed Dog	1
26	10012866	送布连杆销轴	Shaft	1
27	10012836	垫圈	Washer	2
28	10012861	螺钉(SM11/64"×40)	Screw(SM11/64"×40)	1
29	10011799	牙架左限位板	Braces left limit board	1
30	10011794	螺钉(M4×10)	Screw(M4×10)	2
31	10012737	送布连杆	Main Feed Bar Driving Connection	1
32	10012766	毛毡	Felt	1
33	10012735	送布凸轮组件	Send cloth CAM components	1
34	10012734	差动连杆	Differential Feed Bar Driving Connection	1
35	10012770	毛毡	Felt	1
36	10012692	差动连杆销轴	Shaft	1
37	10012833	螺钉(SM11/64"×40)	Screw(SM11/64"×40)	1
38	10012645	差动送布轴	Shaft	1
39	10012647	差动连杆销	Pin	1
40	10008066	油线φ2.5×11.5	Oil line	1
41	10008066	油线φ2.5×260	Oil line	2
42	10012404	轴套	Bushing	1
43	10012691	挡圈	Block circle	2
44	10012014	螺钉(M5×4)	Screw(M5×4)	4
45	10012693	挡圈	Block circle	1
46	10012410	轴套	Bushing	1
47	10014372	弯针送布轴组件	Bending needle send cloth shaft assembly	1
48	10012508	轴套	Bushing	1
49	10012643	挡圈	Block circle	1
50	10012408	轴套	Bushing	1



差动调节部件

FEED DRIVING CONTROL MECHANISM

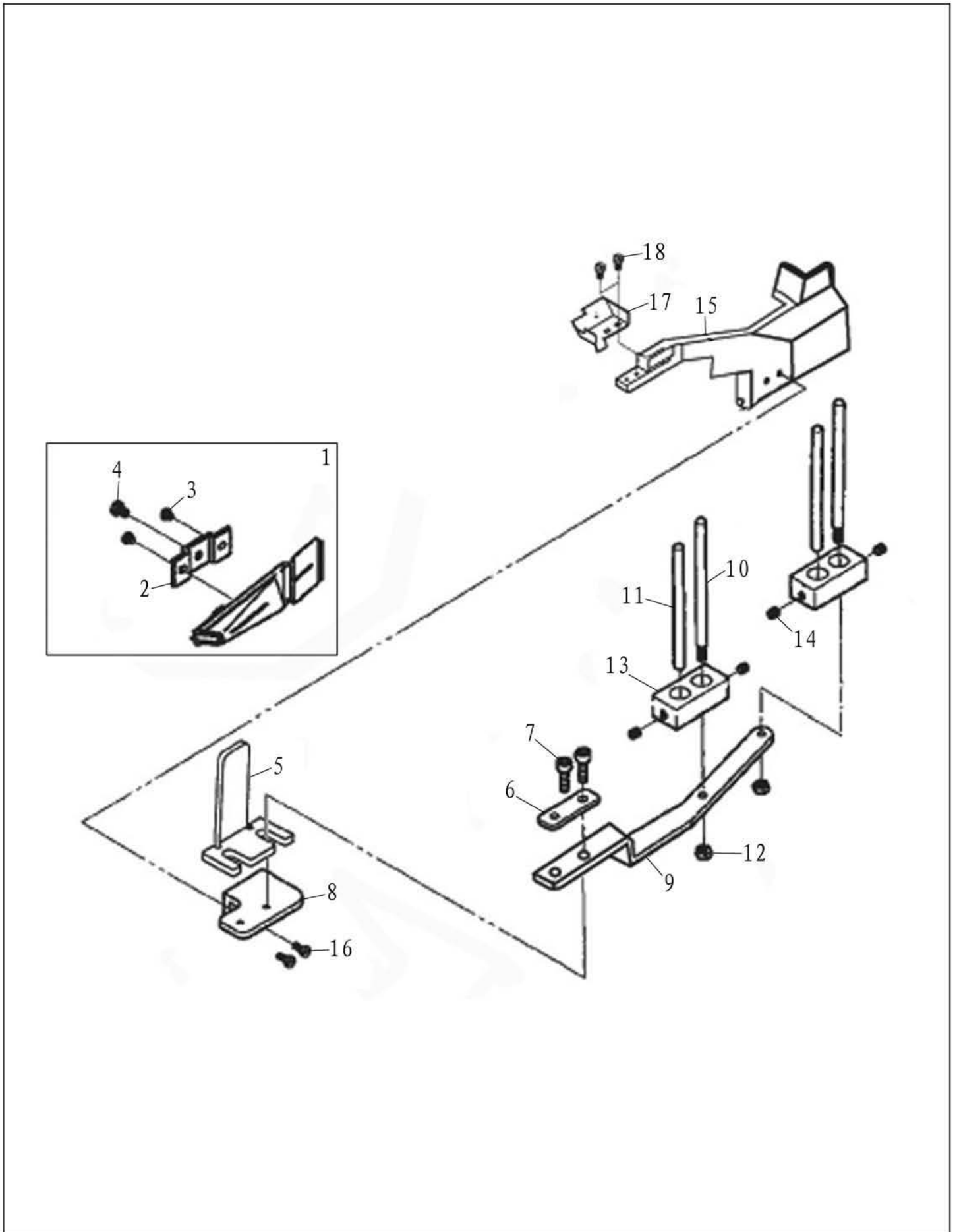
序号 No.	件号 Pars No.	名称	Description	数量 Number
1	10012792	抬牙轴连杆座	Feed Lift Lever	1
2	10012162	螺钉(M5×5)	Screw(M5×5)	7
3	10012781	抬牙轴连杆座销	Pin	1
4	10003238	挡圈	Block circle	2
5	10012789	抬牙轴连杆	Feed Lift Connecting Rod	1
6	10009074	螺钉(M4×4)	Screw(M4×4)	1
7	10012791	差动抬牙凸轮	Feed Eccentric	1
8	10007371	轴承	Bearing	2
9	10012788	差动器连杆	Feed Connecting Rod	1
10	10012481	差动器连杆销	Pin	2
11	10012783	差动器连杆长连杆	Lever Link	1
12	10012778	螺钉(M4×4)	Screw(M4×4)	2
13	10012779	差动器连杆短连杆	Lever Link	1
14	10012515	差动器连杆长短连杆销轴	Lever Link Pin	1
15	10012790	差动轴连杆	Feed Shaft Lever	1
16	10012793	螺钉(M5×10)	Screw(M5×10)	1
17	10012519	挡圈	Block circle	1
18	10012518	差动器座	Control Bracker	1
19	10012521	差动器连杆限位块	Connecting Rod Guide	1
20	10012486	差动微调板	Adjusting Plate	1
21	10002775	销	Pin	1
22	10012485	螺钉(M5×9.8)	Screw(M5×9.8)	1
23	10014258	螺纹衬套	Adjusting Screw Bushing	1
24	10012517	螺母	Nut	1
25	10012484	差动微调螺杆	Adjusting Screw	1
26	10012482	弹簧	Spring	1
27	10012520	螺钉	Screw	2
28	10012333	差动器衬套	Control Lever Shaft Bushing	1
29	10009187	螺钉(M6×8)	Screw(M6×8)	1
30	10014443	油封	Oil Seal	1
31	10012513	O形圈	O-Ring	1
32	10009608	O形圈	O-Ring	1
33	10010532	差动调节销轴	Control Lever Shaft	1
34	10012487	垫圈	Washer	1
35	10012483	差动调节拉杆	Feed Connecting Lever	1
36	10010111	垫圈	Washer	1
37	10010594	螺钉(M4×7.5)	Screw(M4×7.5)	1
38	10012514	差动调节板组件	Feed Graduation	1
39	10012516	螺母	Nut	1
40	10011653	垫圈	Washer	1
41	10014441	螺钉(M4×6)	Screw(M4×6)	1
42	10010856	螺钉	Screw	1
43	10010847	螺母	Nut	1
44	10010861	垫圈	Washer	1
45	10012480	螺钉(M4×12.5)	Screw(M4×12.5)	2



润滑部件

LUBRICATING MECHANISM

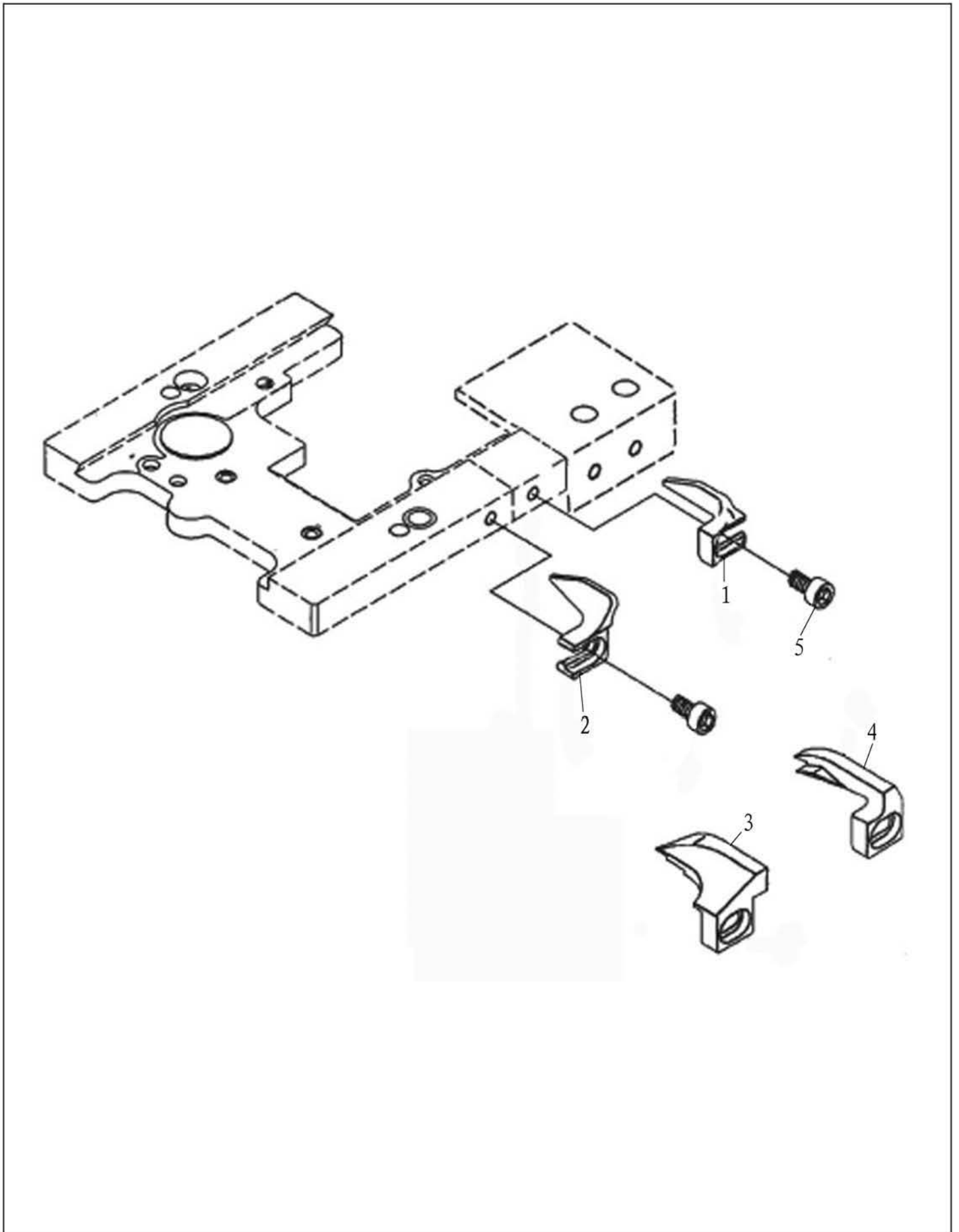
序号 No.	件号 Pars No.	名称	Description	数量 Number
1	10010777	过滤网	Oil Filter Screen	1
2	10003280	挡圈	Block circle	1
3	10012871	油标	Oil Sight Gauge Oil Receiver	1
4	10012104	螺钉(M10×7)	Screw(M10×7)	1
5	10014236	滤油器组件	Oil Filter	1
6	10003793	O形圈	O-Ring	1
7	20003647	滤油器盖	Oil Filter Cap	1
8	10002959	螺钉(M4×16)	Screw(M4×16)	3
9	10012105	上油盘	Oil Receiver	1
10	10002924	螺钉(M4×6)	Screw(M4×6)	2
11	10011314	螺钉(M4×6)	Screw(M4×6)	1
12	10014238	油管	Oil Tube	1
13	10007840	上管接头组件	Oil Pipe Unit	1
14	10009471	螺母	Nut	1
15	10007796	油管 φ4×φ6×340	Oil Tube	1
16	10011471	油管夹	Oil Tube Clam	8
17	10014235	单向阀组件	Non-return Valve Unit	1
18	10007770	油泵组件	Oil Pump	1
19	10012095	管接头	Oil Tube Joint, One Way	1
20	10012103	管接头	Oil Tube Joint, One Way	5
21	10012102	螺钉(SM1/4"×40)	Screw(SM1/4"×40)	1
22	10012084	螺钉(SM1/4"×40)	Screw(SM1/4"×40)	4
23	10011307	毛毡	Felt	1
24	10023268	回油管	Suction Pipe	1
25	10007795	油管 φ3.5×φ5×φ450	Oil Tube	1
26	10012808	油管挡板	Oil Tube Stay	1
27	10014441	螺钉(M4×6)	Screw(M4×6)	3
28	10011460	回油出油管组件	Oil Nozzle For Worm Gear	1
29	10012107	螺母	Nut	1
30	10012805	弯针机构供油管组件	Lower Shaft Oiling Shower	1
31	10007796	油管 φ4×φ6×φ160	Oil Tube	1



滚领缝机专用件

SUBMODEL EXCLUSIVE PARTS

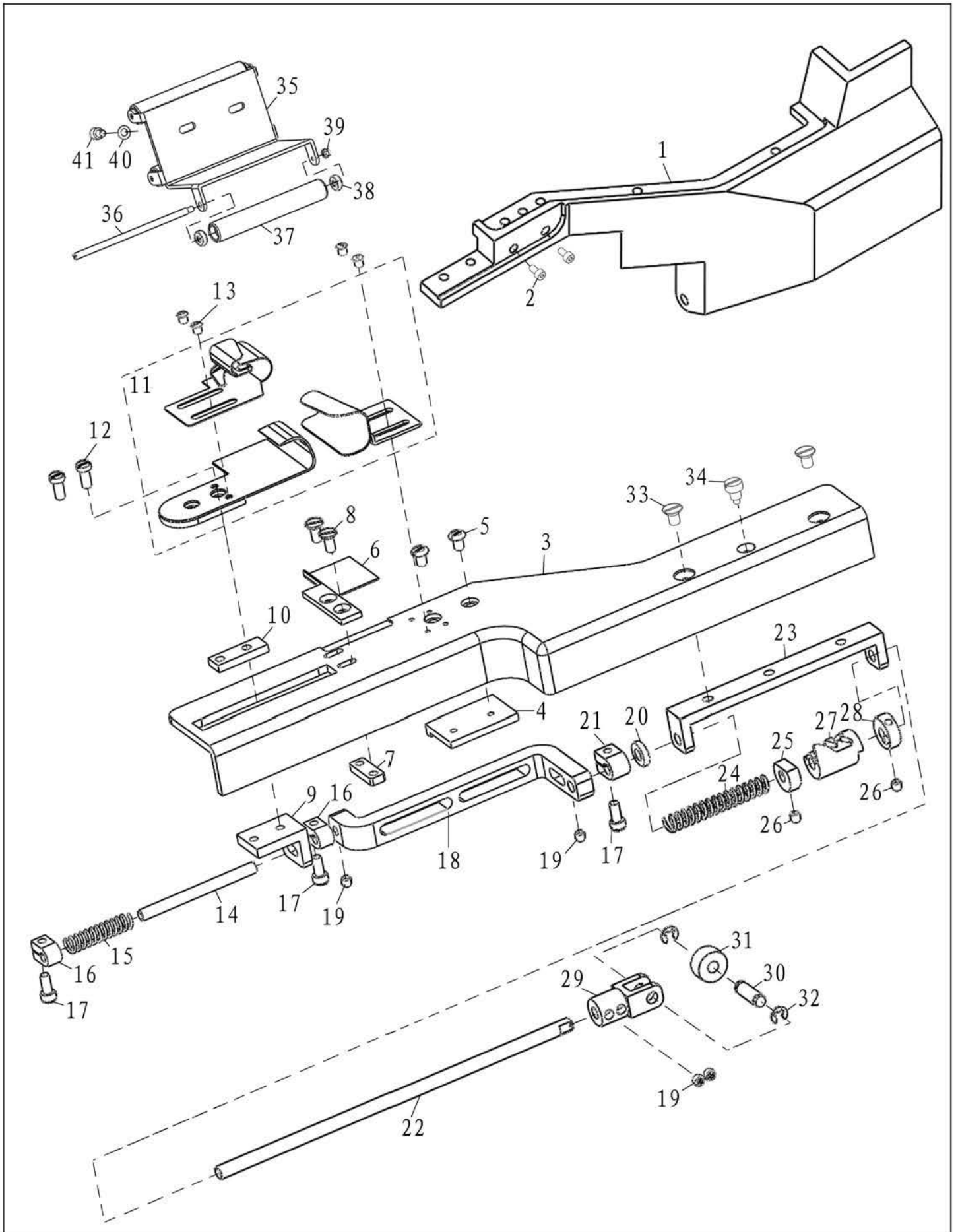
序号 No.	件号 Pars No.	名称	Description	数量 Number
1	10012842	卷边器组件	Folder	1
2	10011742	卷边器支架调整压板	Folder Clamp	1
3	10012723	螺钉(M4×5)	Screw(M4×5)	2
4	10011744	螺钉(M6×5)	Screw(M6×5)	1
5	10012844	卷边器支架	Folder Support	1
6	10012848	卷边器支架安装压板	Folder Disc	1
7	10012073	螺钉(M5×16)	Screw(M5×16)	2
8	10012847	卷边器安装座	Roll edge reamer installation seat	1
9	10012878	导布杆座	Tape Guide Holder	1
10	10011549	螺钉(M5×11)	Screw(M5×11)	2
11	10011544	销	Pin	2
12	10009467	螺母	Nut	2
13	10011483	导布杆销连接座	Tape Guide Adjusting Holder	2
14	10012014	螺钉(M5×4)	Screw(M5×4)	4
15	20003621	穿线罩板	Front Cover	1
16	10002963	螺钉(M4×10)	Screw(M4×10)	2
17	10012846	穿线罩板前盖	Front Plate Cover	1
18	10014441	螺钉(M4×6)	Screw(M4×6)	2



倒骨缝绷缝机专用件

SEAMS COVERING SEWING MACHINE EXCLUSIVE PARTS

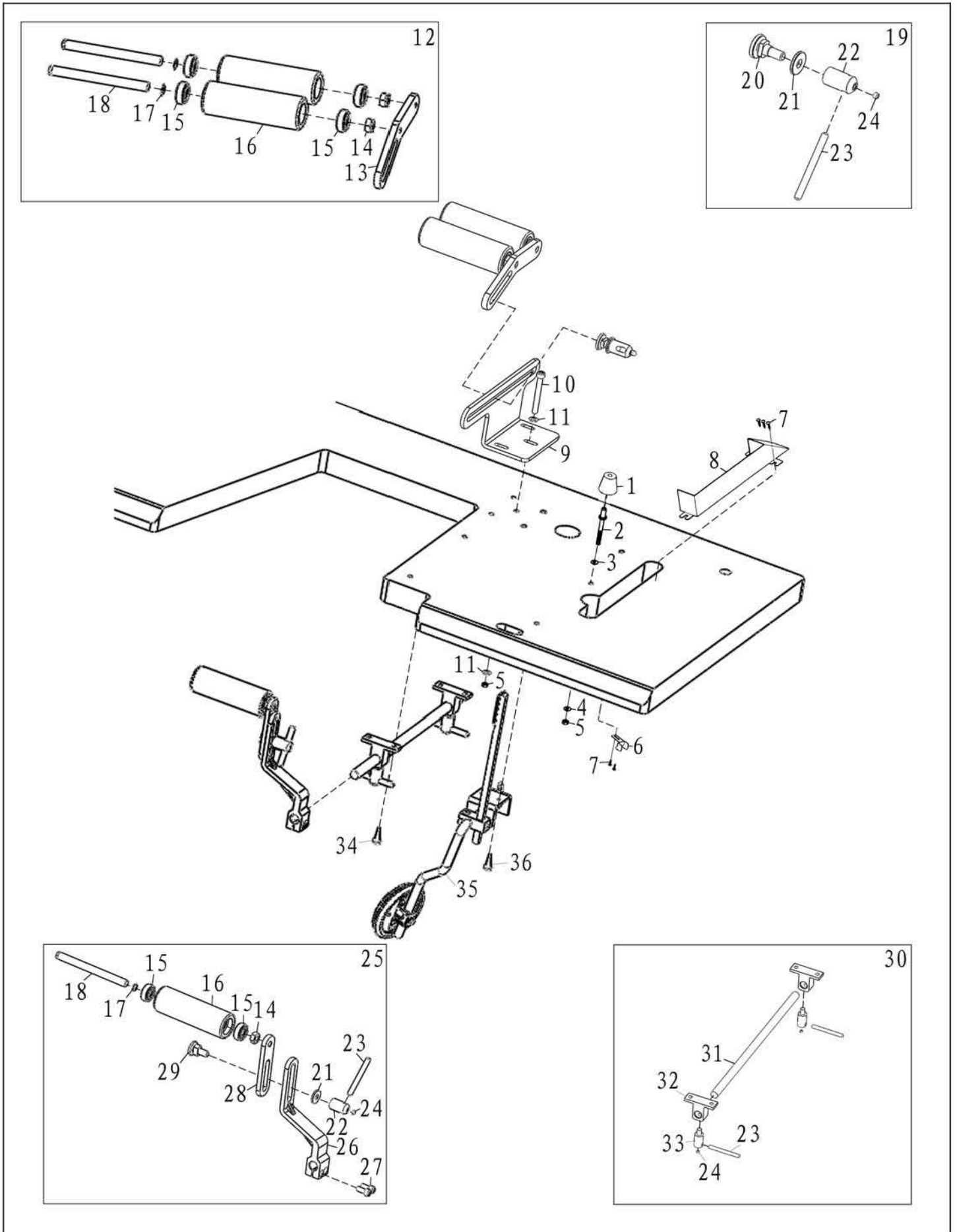
序号 No.	件号 Pars No.	名称	Description	数量 Number
1	10014426	倒骨右导向	Leading Right Block	1
2	10014449	倒骨左导向	Leading Left Block	1
3	10014425	立骨左导向	Direction Right Black	1
4	10014448	立骨右导向	Direction Left Black	1
5	10002975	螺钉 (M3×6)	Screw (M3×6)	2



氨纶专用零部件(1)

Urethane Stitch EXCLUSIVE PARTS(1)

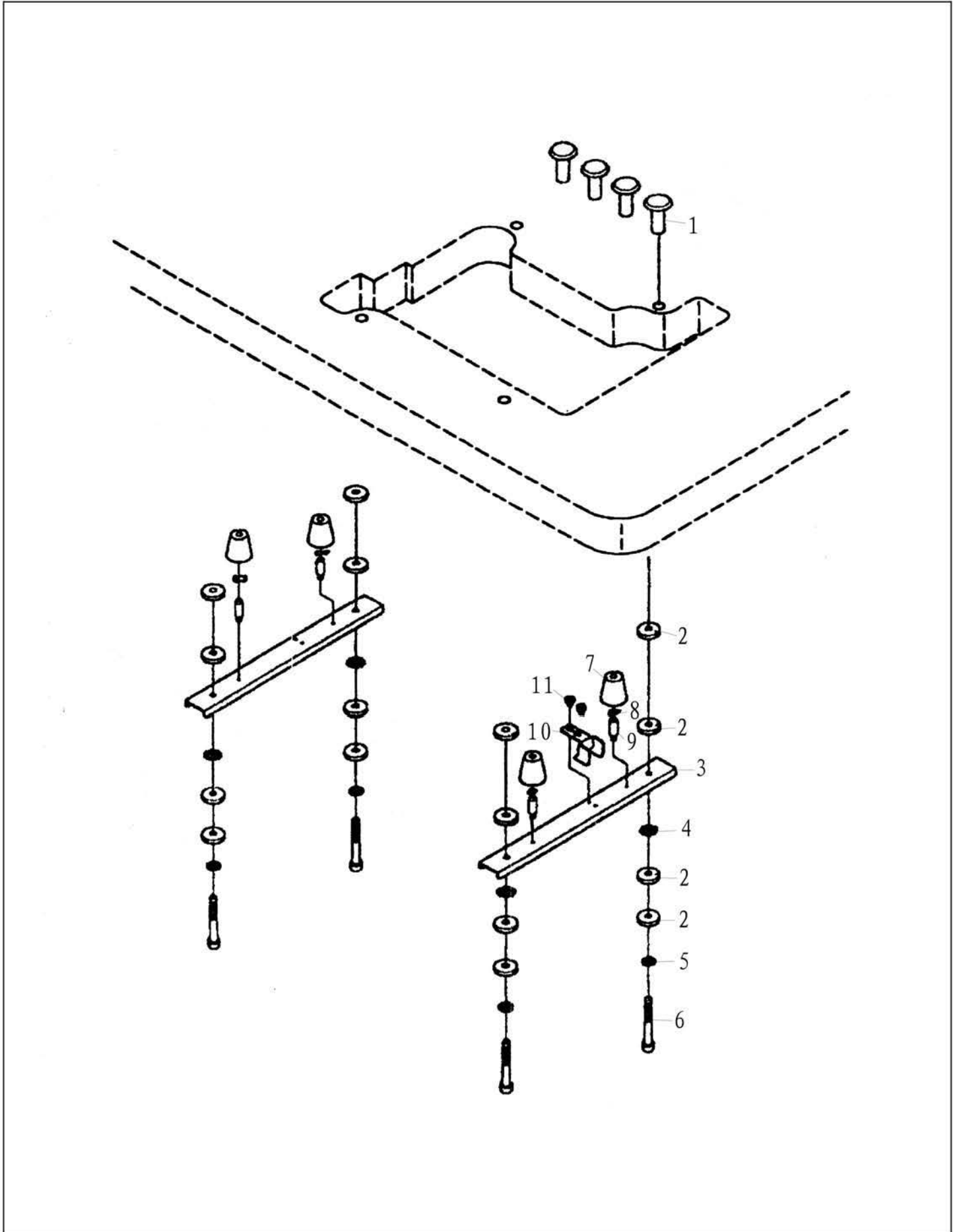
序号 No.	件号 Pars No.	名称	Description	数量 Number
1	20003621	穿线罩板	Front Cover	1
2	10012553	螺钉(M4×8)	Screw(M4×8)	2
3	10012568	座板	seat	1
4	10012560	安装座	Installation seat	1
5	10014474	螺钉(SM11/64"×40)	Screw(SM11/64"×40)	2
6	10014475	挡布板	Block cloth board	1
7	10014455	螺母	Nut	1
8	10014458	螺钉(M4×12)	Screw(M4×12)	2
9	10014457	滑块座	Slider seat	1
10	10014451	滑块	slider	1
11	10025049	包缝板组件	Bag seam board groupware	1
12	10011798	螺钉(M4×10)	Screw(M4×10)	2
13	10014454	螺钉(M3.5×4)	Screw(M3.5×4)	4
14	10012561	短顶杆	Short plunger	1
15	10012566	弹簧	Spring	1
16	10012559	短顶杆定位块	Short plunger orientation block	2
17	10012752	螺钉(M4×10)	Screw(M4×10)	3
18	10012565	连接杆	Link rod	1
19	10012014	螺钉(M5×4)	Screw(M5×4)	4
20	10012523	垫圈	Washer	1
21	10012564	长顶杆定位块	Long plunger orientation block	1
22	10012522	长顶杆	Long plunger	1
23	10012558	导向座	Orientation block	1
24	10012562	弹簧	Spring	1
25	10012567	挡圈	Block circle	1
26	10011802	螺钉(SM11/64"×40)	Screw(SM11/64"×40)	4
27	10012557	定位器	locator	1
28	10012563	右紧圈组件	Right tight circles components	1
29	10014450	顶杆头	Plunger head	1
30	10012802	顶轮轴	Top axle	1
31	10014456	顶轮	Crown chakra	1
32	10009653	挡圈	Block circle	2
33	10014453	螺钉(M5×8.7)	Screw(M5×8.7)	2
34	10014476	螺钉	Screw	1
35	20003677	中轮座板	Oceangoing seat	1
36	10012656	中过布轮轴	Of cloth axle	3
37	10012650	中过布轮	Of cloth round	3
38	10003575	轴承	Bearing	6
39	10012658	螺母	Nut	3
40	10004936	垫圈	Washer	2
41	10003105	螺钉(M6×8)	Screw(M6×8)	2



氨纶专用零部件(2)

Urethane Stitch EXCLUSIVE PARTS(2)

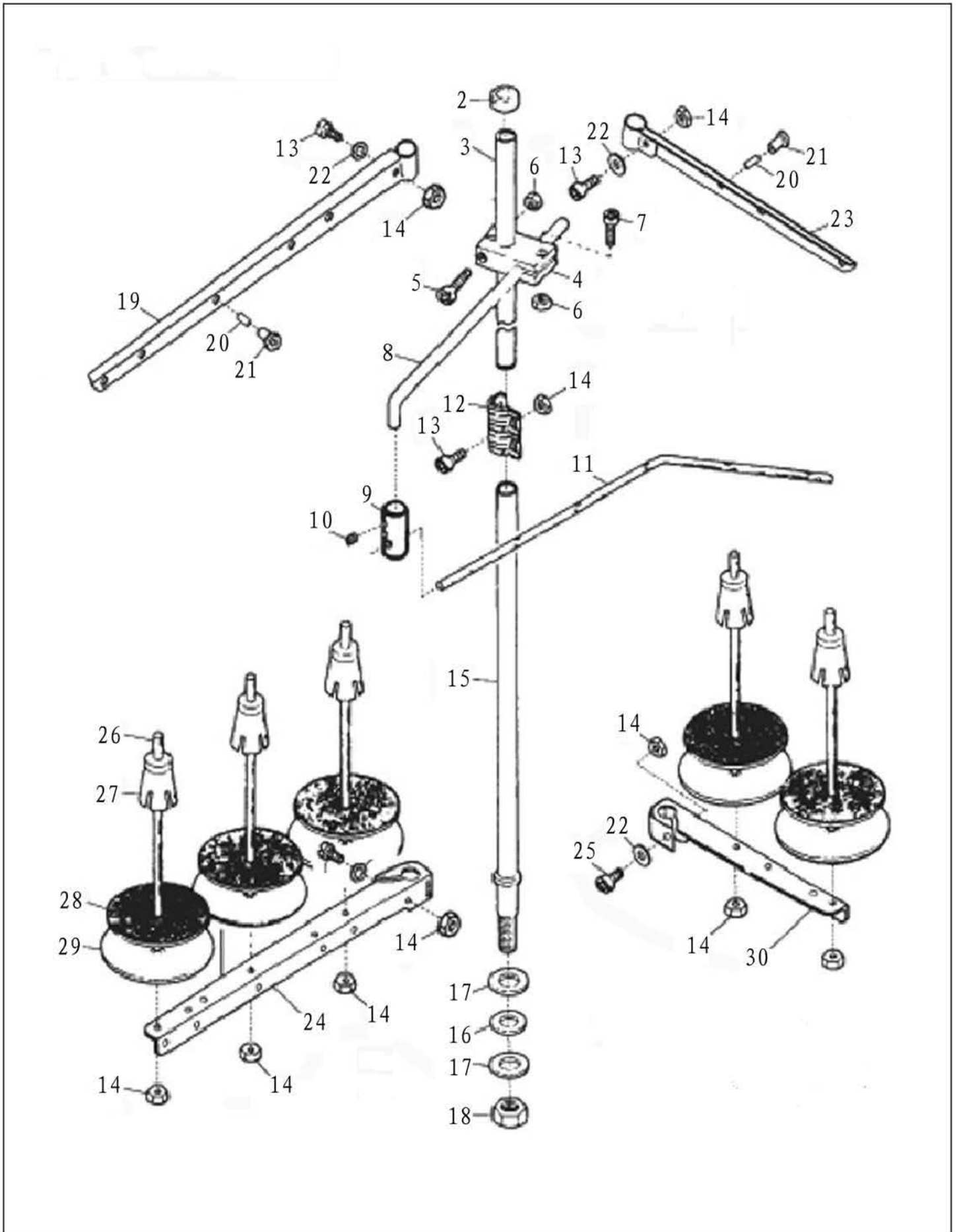
序号 No.	件号 Pars No.	名称	Description	数量 Number
1	10011315	防震垫	Oil Resrvoir Rubber Cushion	4
2	10012704	螺钉(M6×57)	Screw(M6×57)	4
3	10012701	垫圈	Washer	8
4	10003077	垫圈	Washer	4
5	10002994	螺母	Nut	7
6	10011309	挡链板	Prevent Chain Plate	1
7	10008323	螺钉	Screw	7
8	20003667	台板防护罩	Belt Cover	1
9	20003680	前过布轮支座	Front cloth wheel bearings	1
10	10003790	螺钉(M6×55)	Screw(M6×55)	3
11	10004936	垫圈	Washer	6
12	20001519	前过布轮组件	Front cloth wheelset pieces	1
13	10012602	前轮座板	Front seat	1
14	10012605	螺母	Nut	3
15	10025874	轴承	Bearing	6
16	10012604	前过布轮	Front cloth round	3
17	10003277	挡圈	Block circle	3
18	10012655	前轮轴	Former axle	3
19	20001526	前轮夹紧装置	Front wheel clamping device	1
20	10012651	前轮夹紧块	Front wheel clamping block	1
21	10012652	垫圈	Washer	2
22	10012657	螺母	Nut	2
23	10012649	夹紧手柄	Clamping handle	4
24	10012014	螺钉(M5×4)	Screw(M5×4)	4
25	20001527	后过布轮组件	After cloth wheelset pieces	1
26	10012648	后过布轮支架	After stent cloth round	1
27	10009008	螺钉(M6×16)	Screw(M6×16)	2
28	10012603	后轮座板	Rear seat	1
29	10012653	后轮夹紧块	Rear clamping block	1
30	20001528	前轮安装座	Front wheel installed base	1
31	10012711	接杆	Connect stem	1
32	10012700	固定座	Fixed block	2
33	10012712	螺钉	Screw	2
34	10003181	螺钉	Screw	4
35	10013939	操纵杆组件	Joystick components	1
36	10008323	螺钉	Screw	2



支承板

SUPPORTING BOARD

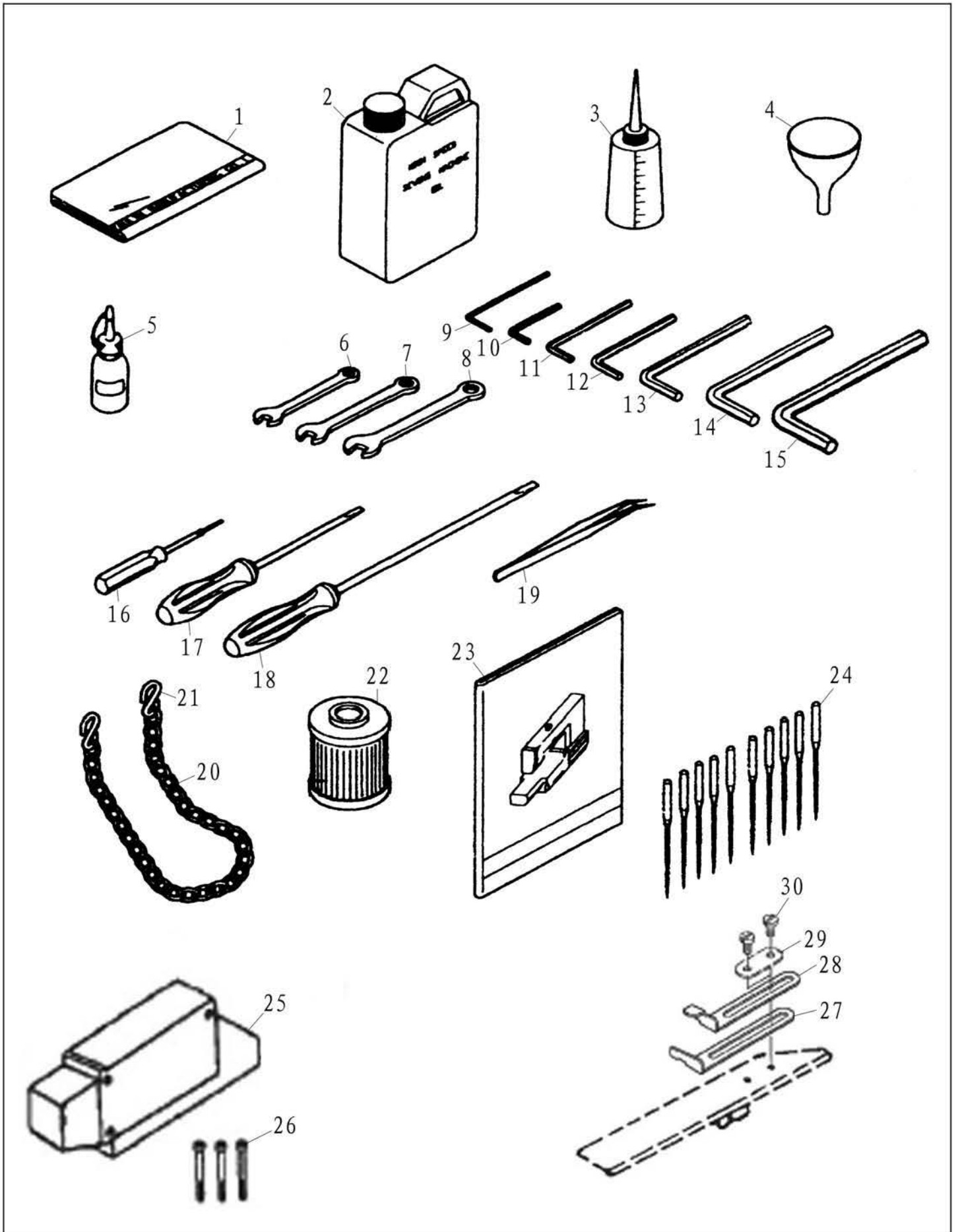
序号 No.	件号 Pars No.	名称	Description	数量 Number
1	10011312	固定板连接柱	Nut	4
2	10009272	垫圈	Washer	16
3	20003666	固定板	Instead Plate	2
4	10006282	垫圈	Washer	4
5	10009273	垫圈	Washer	4
6	10011361	螺钉 (M8×50)	Screw(M8×50)	4
7	10011315	防震垫	Oil Resrvoir Rubber Cushion	4
8	10011359	台板防震垫	Washer	4
9	10011306	螺钉 (M5×7)	Screw(M5×7)	4
10	10011309	挡链板	Prevent Chain Plate	1
11	10003101	螺钉 (M5×8)	Screw(M5×8)	2



线架

THREAD STAND

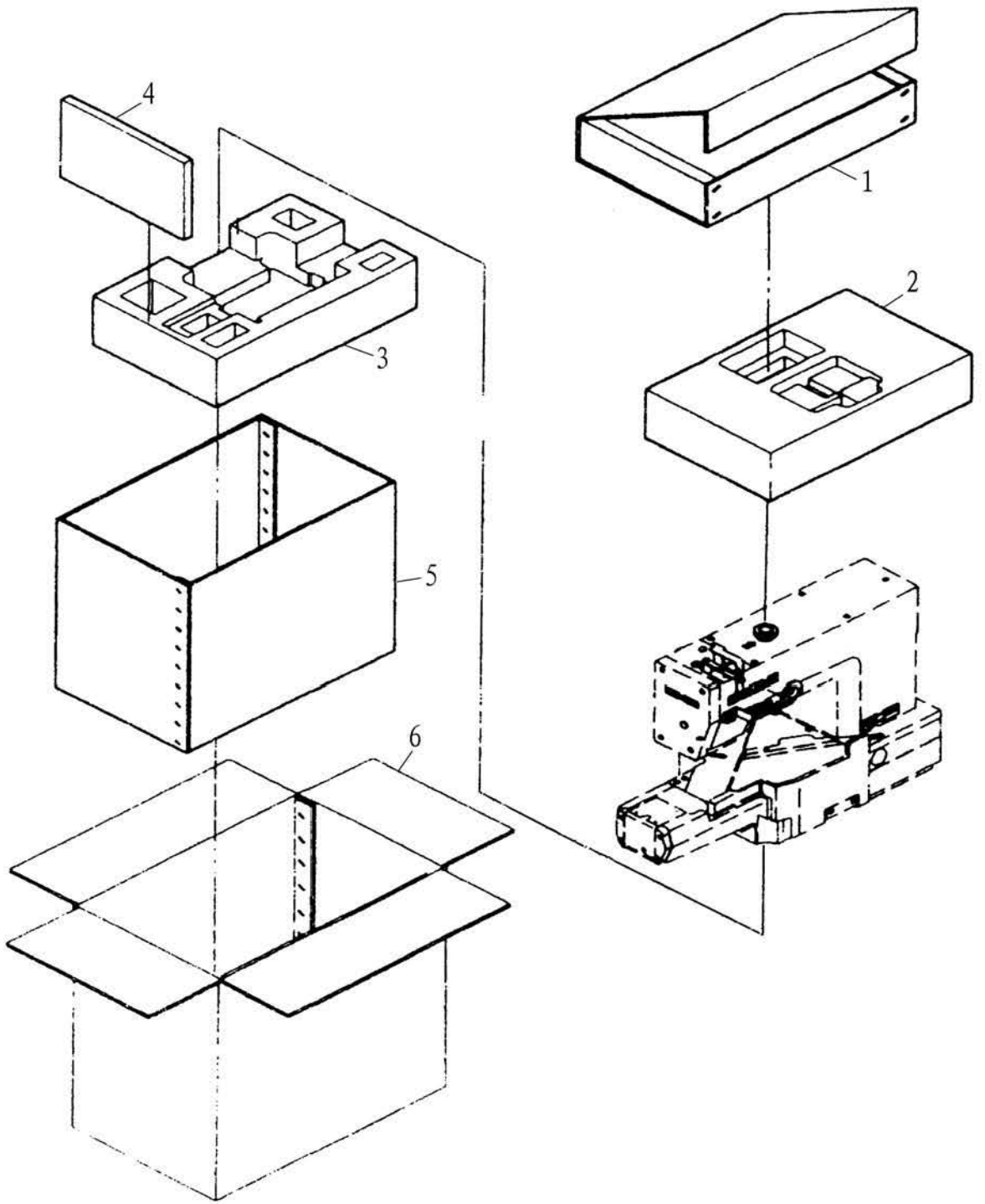
序号 No.	件号 Pars No.	名称	Description	数量 Number
1	10004956	五线线架部件	Thread Stand	
2	10004282	线架上撑管套	Column Cop	1
3	10004293	线架上撑管	Column Pipe	1
4	10004335	保持架	Thread Guide Holder	1
5	10002937	螺钉 (M4×25)	Screw(M4×25)	1
6	10005297	螺母	Nut	2
7	10002958	螺钉 (M4×12)	Screw(M4×12)	1
8	10004346	过线杆支杆	Thread Guide Arm	1
9	10004334	过线杆支柱	Thread Guide Holder	1
10	10002851	螺钉 (M6×5)	Screw(M6×5)	2
11	10006076	过线杆	Thread Guide	1
12	10004286	撑管夹	Column Pipe Connector	1
13	10003301	螺钉 (M5×14)	Screw(M5×14)	4
14	10002953	螺母	Nut	11
15	10004291	线架下撑管	Column Pipe	1
16	10004295	垫圈	Washer	1
17	10004290	垫圈	Washer	2
18	10002985	螺母	Nut	1
19	10006345	上过线架	Thread Hanger	1
20	10004289	过线管	Thread Guide Pipe	5
21	10004285	过线管套	Thread Guide Bushing	5
22	10003022	垫圈	Washer	4
23	10004298	上过线架	Thread Hanger	1
24	10006351	下过线架	Thread Hanger	1
25	10003312	螺钉 (M5×30)	Screw(M5×30)	2
26	10004288	线轴	Spool Pin	5
27	10004287	线盘塑料压块	Spool Cushion	5
28	10004281	线盘软垫	Spool Mat	5
29	10004299	线盘	Spool Seat Disc	5
30	10004284	下过线架	Thread Hanger	1



附件盒

ATTACHMENT BOX

序号 No.	件号 Pars No.	名称	Description	数量 Number
1	10011311	机头罩	Machine Cover	1
2	10004882	油壶	Jerrican	1
3	20001784	小油壶组件	Oiler	1
4	10008932	漏斗	Funnel	1
5	10011155	硅油瓶	HP Oiler	1
6	10014185	扳手6#	Spanner(6#)	1
7	10014122	扳手7#	Spanner(7#)	1
8	10014186	扳手8#	Spanner(8#)	1
9	10009684	内六角扳手1.5#	Hexagonal Wrench(1.5#)	1
10	10009683	内六角扳手2#	Hexagonal Wrench(2#)	1
11	10009686	内六角扳手2.5#	Hexagonal Wrench(2.5#)	1
12	10009685	内六角扳手3#	Hexagonal Wrench(3#)	1
13	10009687	内六角扳手4#	Hexagonal Wrench(4#)	1
14	10009689	内六角扳手5#	Hexagonal Wrench(5#)	1
15	10009688	内六角扳手6#	Hexagonal Wrench(6#)	1
16	10009270	内六角开刀	Hexagonal Screwdriver	1
17	10014159	平口开刀	Screwdriver	1
18	10013982	平口开刀	Screwdriver	1
19	10004247	镊子组件	Thread Tweezers	1
20	10011360	踏板链条	Chain	1
21	10014203	链勾	Hook	2
22	10014236	滤油器组件	Oil Filter	1
23	10005897	说明书	Explain Book	1
24	UY128GBS11#	机针	Needle	10
25	10012310	皮带罩	Beef Cover	1
26	10012685	螺钉	Screw(M4×47)	3
27	10012838	导布板1	Plate 1	1
28	10012840	导布板2	Plate 2	1
29	10012807	导布板压板	Plate	1
30	10009104	螺钉(M4×9.5)	Screw(M4×9.5)	2



包装箱

BOX

序号 No.	件号 Pars No.	名称	Description	数量 Number
1	10011308	附件盒	Attachment Box	1
2	10004565	机头上发泡	Plastic Foam	1
3	10005976	下泡沫	Plastic Foam	1
4	10011485	机头垫	Foam Mat	1
5	10004575	内衬	Under Lay	1
6	10008385	机头箱	Carton	1



ZOJE

中捷

中国·中捷缝纫机股份有限公司
ZOJE SEWING MACHINE CO.,LTD.

地址：浙江玉环大港开发区
ADD: DAMAYU ZONE, YUHUAN, ZHEJIANG, 317804 CHINA
免费咨询电话: TEL: 800-657-6715