



ZOJE

中捷

ZJ457A 系列

高速曲折缝

HIGH SPEED ZIGZAG SEWING MACHINE

零件手册

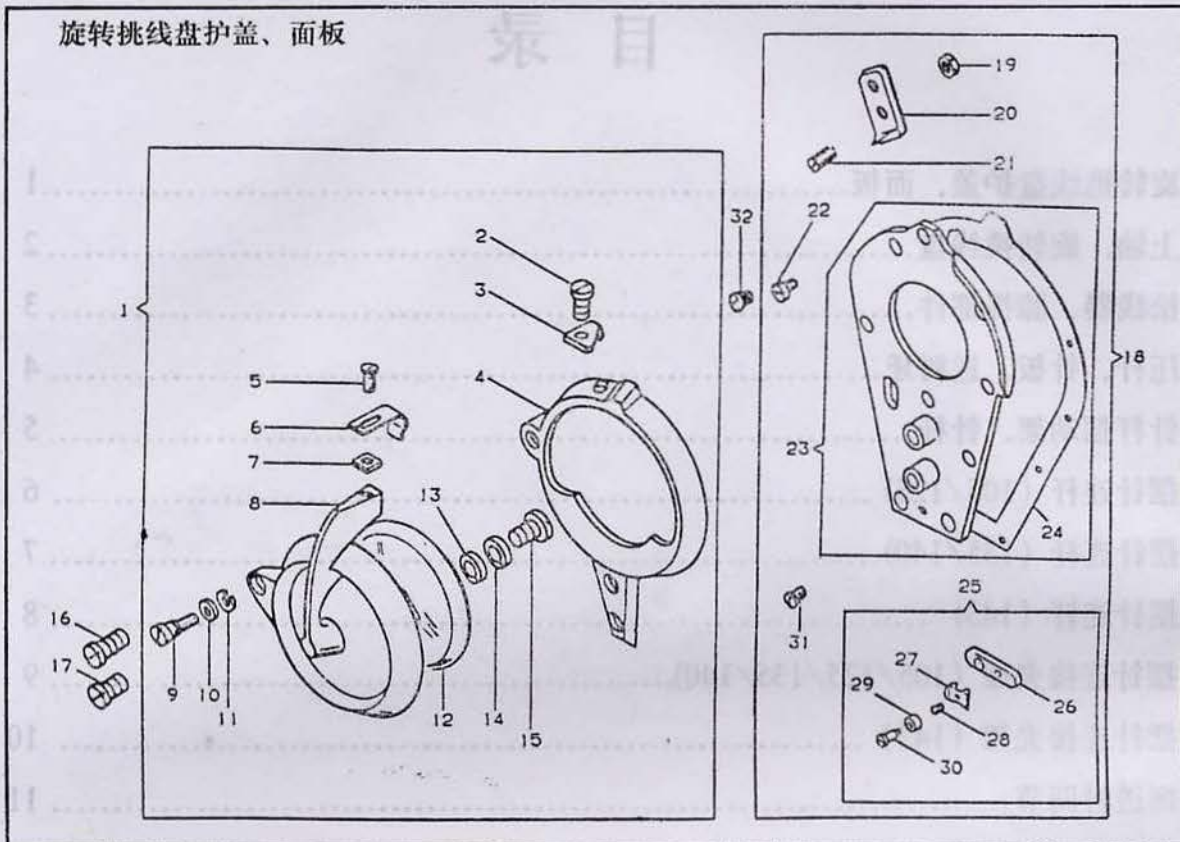
PARTS BOOK

中国·中捷缝纫机股份有限公司
ZOJE SEWING MACHINE CO., LTD.

目 录

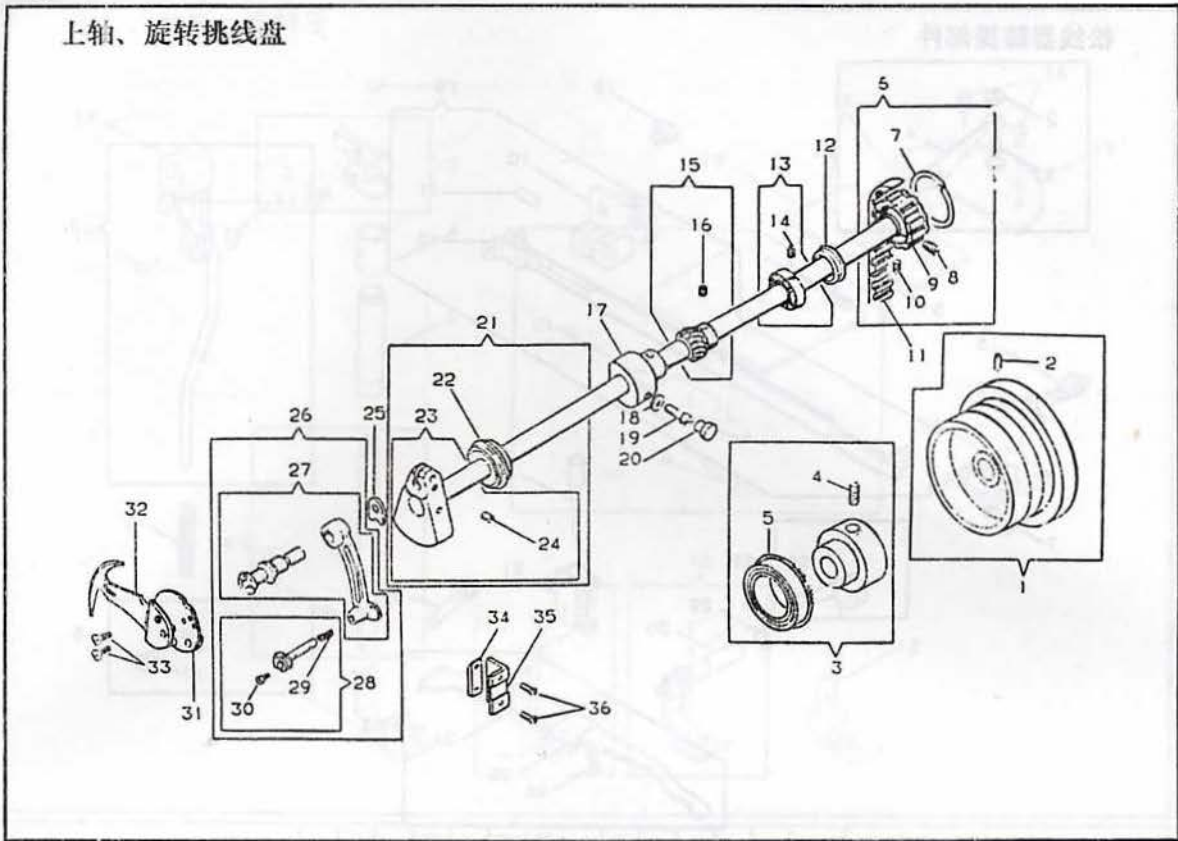
| | |
|-------------------------------|----|
| 旋转挑线盘护盖、面板..... | 1 |
| 上轴、旋转挑线盘..... | 2 |
| 松线器、膝提部件..... | 3 |
| 压杆、针板、送料牙..... | 4 |
| 针杆摆动架、针杆..... | 5 |
| 摆针连杆 (105/125) | 6 |
| 摆针连杆 (135/140) | 7 |
| 摆针连杆 (143) | 8 |
| 摆针连接夹架 (105/125/135/140)..... | 9 |
| 摆针连接夹架 (143) | 10 |
| 倒送料调节..... | 11 |
| 摆针调节..... | 12 |
| 上盖、绕线器组件..... | 13 |
| 上夹线器、夹线器..... | 14 |
| 旋梭、梭心套..... | 15 |
| 旋梭传动件..... | 16 |
| 送料传动件..... | 17 |
| 送料控制凸轮..... | 18 |
| 抬牙组件..... | 19 |
| 下轴..... | 20 |
| 车壳罩..... | 21 |
| 润滑组件..... | 22 |
| 附件..... | 23 |
| 油盘、膝提部件..... | 24 |
| 皮带罩、过线架..... | 25 |
| 备用件 1..... | 26 |
| 备用件 2..... | 27 |

旋转挑线盘护盖、面板

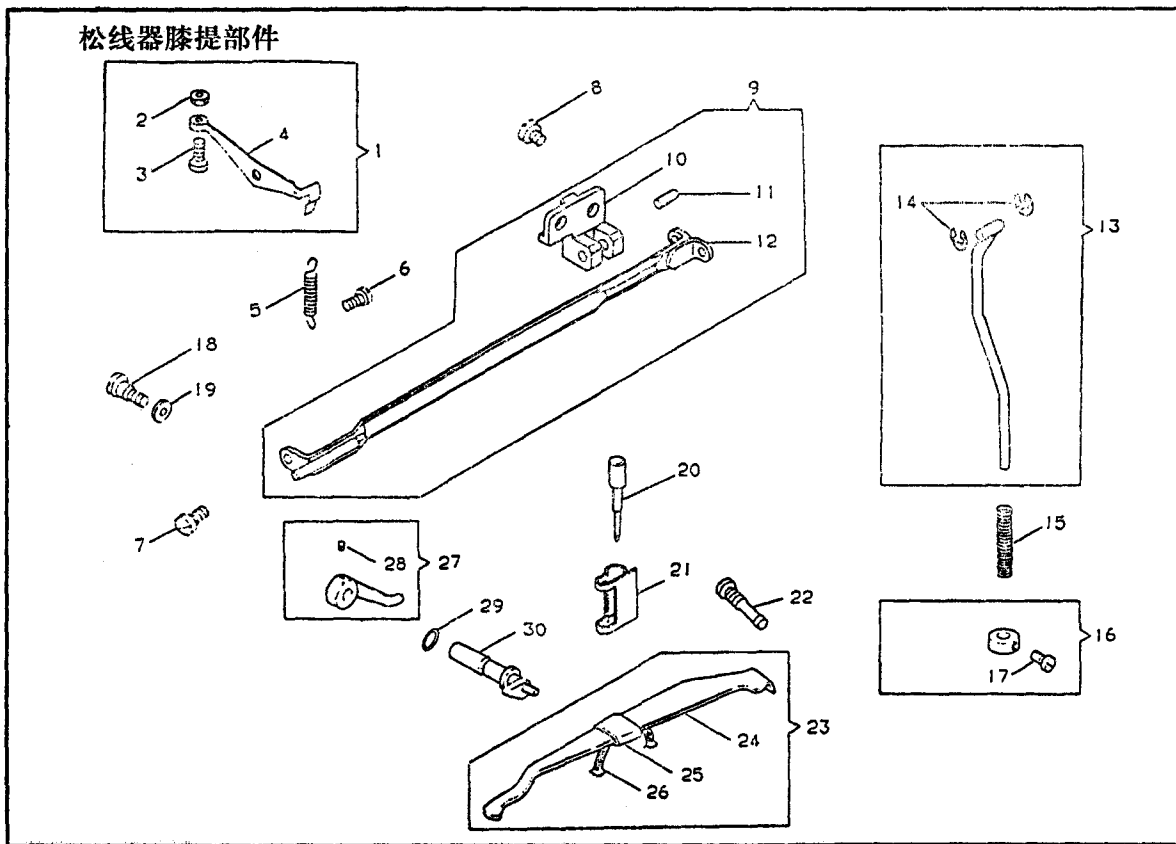


| 序号 | 件号 | A105-L | A105-M | A125-L | A125-M | A135-L | A135-M | A140-M | A143-L | A143-M | 数量 | 名称 |
|----|------------|--------|--------|--------|--------|--------|--------|--------|--------|--------|----|-----------|
| 1 | 411014-451 | * | * | * | * | * | * | * | * | * | 1 | 旋转挑线盘护盖组件 |
| 2 | 545318-452 | * | * | * | * | * | * | * | * | * | 1 | 护盖刀片螺钉 |
| 3 | 502670 | * | * | * | * | * | * | * | * | * | 1 | 护盖刀片 |
| 4 | 411015-451 | * | * | * | * | * | * | * | * | * | 1 | 挑线盘防护盖 |
| 5 | 500246-850 | * | * | * | * | * | * | * | * | * | 1 | 护盖弹簧片螺钉 |
| 6 | 276508 | * | * | * | * | * | * | * | * | * | 1 | 护盖弹簧片 |
| 7 | 504507 | * | * | * | * | * | * | * | * | * | 1 | 护盖弹簧片螺母 |
| 8 | 411016-451 | * | * | * | * | * | * | * | * | * | 1 | 挑线盘防护罩 |
| 9 | 544298 | * | * | * | * | * | * | * | * | * | 1 | 护罩转动螺钉 |
| 10 | 230743 | * | * | * | * | * | * | * | * | * | 1 | 护罩转动螺钉垫圈 |
| 11 | 502622 | * | * | * | * | * | * | * | * | * | 1 | 转动螺钉弹簧垫圈 |
| 12 | 272128 | * | * | * | * | * | * | * | * | * | 1 | 护盖罩窗 |
| 13 | 543875-104 | * | * | * | * | * | * | * | * | * | 1 | 护盖罩窗垫圈 |
| 14 | 543805-003 | * | * | * | * | * | * | * | * | * | 1 | 护盖罩窗弹簧垫圈 |
| 15 | 545082-452 | * | * | * | * | * | * | * | * | * | 1 | 护盖罩窗螺钉 |
| 16 | 545244-452 | * | * | * | * | * | * | * | * | * | 1 | 护盖长螺钉 |
| 17 | 545246-452 | * | * | * | * | * | * | * | * | * | 1 | 护盖短螺钉 |
| 18 | 282176 | * | * | * | * | * | * | * | * | * | 1 | 面板组件 |
| 19 | 541178 | * | * | * | * | * | * | * | * | * | 1 | 面板刀片调节螺母 |
| 20 | 411088 | * | * | * | * | * | * | * | * | * | 1 | 面板刀片 |
| 21 | 50429-833 | * | * | * | * | * | * | * | * | * | 1 | 面板刀片调节螺钉 |
| 22 | 500262-833 | * | * | * | * | * | * | * | * | * | 1 | 面板刀片螺钉 |
| 23 | 282284 | * | * | * | * | * | * | * | * | * | 1 | 面板面板垫组件 |
| 24 | 282178 | * | * | * | * | * | * | * | * | * | 1 | 面板垫 |
| 25 | 417905 | * | * | * | * | * | * | * | * | * | 1 | 面板线夹组件 |
| 26 | 417906 | * | * | * | * | * | * | * | * | * | 1 | 针线夹板 |
| 27 | 416647 | * | * | * | * | * | * | * | * | * | 1 | 针线夹过线板 |
| 28 | 416648 | * | * | * | * | * | * | * | * | * | 1 | 针线夹弹簧 |
| 29 | 546870 | * | * | * | * | * | * | * | * | * | 1 | 针线夹弹簧罩 |
| 30 | 374356 | * | * | * | * | * | * | * | * | * | 1 | 针线夹枢钮螺钉 |
| 31 | 500262-833 | * | * | * | * | * | * | * | * | * | 1 | 过线杆螺钉 |
| 32 | 500246-850 | * | * | * | * | * | * | * | * | * | 8 | 面板螺钉 |

上轴、旋转挑线盘

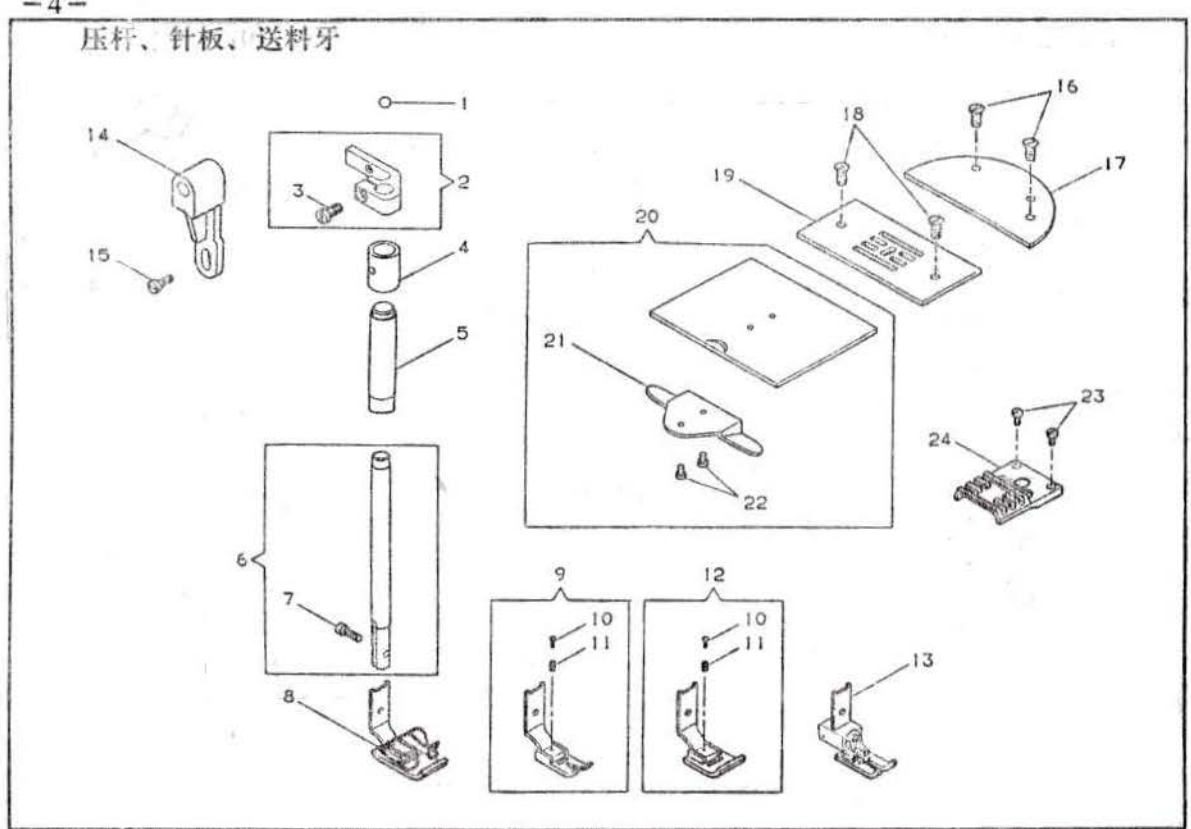


| 序号 | 件号 | A105-L | A105-M | A125-L | A125-M | A135-L | A135-M | A140-M | A143-L | A143-M | 数量 | 名称 |
|----|------------|--------|--------|--------|--------|--------|--------|--------|--------|--------|----|------------|
| 1 | 282180-451 | * | * | * | * | * | * | * | * | * | 1 | 上轮组件 |
| 2 | 141567-833 | * | * | * | * | * | * | * | * | * | 2 | 上轮螺钉 |
| 3 | 282182 | * | * | * | * | * | * | * | * | * | 1 | 上轴后轴承止推套组件 |
| 4 | 544209-005 | * | * | * | * | * | * | * | * | * | 2 | 止推套螺钉 |
| 5 | 272142 | * | * | * | * | * | * | * | * | * | 1 | 上轴后轴承 |
| 6 | 502682 | * | * | * | * | * | * | * | * | * | 1 | 同步带轮组件 |
| 7 | 214206 | * | * | * | * | * | * | * | * | * | 1 | 同步带轮挡圈 |
| 8 | 50C272-833 | * | * | * | * | * | * | * | * | * | 1 | 上轴带轮紧固螺钉 |
| 9 | 502509 | * | * | * | * | * | * | * | * | * | 1 | 上轴带轮 |
| 10 | 50C274-833 | * | * | * | * | * | * | * | * | * | 1 | 上轴带轮定位螺钉 |
| 11 | 502508 | * | * | * | * | * | * | * | * | * | 1 | 同步齿形带 |
| 12 | 37C029 | * | * | * | * | * | * | * | * | * | 1 | 挡油环 |
| 13 | 417974 | * | * | * | * | * | * | * | * | * | 1 | 绕线器主动轮组件 |
| 14 | 544207-012 | * | * | * | * | * | * | * | * | * | 2 | 主动轮紧固螺钉 |
| 15 | 417895 | * | * | * | * | * | * | * | * | * | 1 | 上轴螺旋齿轮组件 |
| | 411160 | * | * | * | * | * | * | * | * | * | 1 | 上轴螺旋齿轮组件 |
| | 411304 | * | * | * | * | * | * | * | * | * | 1 | 上轴螺旋齿轮组件 |
| 16 | 544300 | * | * | * | * | * | * | * | * | * | 2 | 上轴螺旋齿轮紧固螺钉 |
| | 544306 | * | * | * | * | * | * | * | * | * | 4 | 上轴螺旋齿轮紧固螺钉 |
| 17 | 502763 | * | * | * | * | * | * | * | * | * | 1 | 上轴中轴套 |
| 18 | 543833-002 | * | * | * | * | * | * | * | * | * | 1 | 中轴套拉紧螺钉垫圈 |
| 19 | 500307-850 | * | * | * | * | * | * | * | * | * | 1 | 中轴套拉紧螺钉 |
| 20 | 502831 | * | * | * | * | * | * | * | * | * | 1 | 中轴套油塞 |
| 21 | 282141 | * | * | * | * | * | * | * | * | * | 1 | 上轴组件 |
| 22 | 272143 | * | * | * | * | * | * | * | * | * | 1 | 上轴前轴承 |
| 23 | 282142 | * | * | * | * | * | * | * | * | * | 1 | 针杆曲柄组件 |
| 24 | 504101 | * | * | * | * | * | * | * | * | * | 4 | 针杆曲柄紧固螺钉 |
| 25 | 276114 | * | * | * | * | * | * | * | * | * | 1 | 针杆曲柄止推垫圈 |
| 26 | 282159 | * | * | * | * | * | * | * | * | * | 1 | 挑线针杆连杆组件 |
| 27 | 282160 | * | * | * | * | * | * | * | * | * | 1 | 挑线杆组件 |
| 28 | 411005 | * | * | * | * | * | * | * | * | * | 1 | 针杆连接柱组件 |
| 29 | 502603 | * | * | * | * | * | * | * | * | * | 1 | 针杆连接柱油绳 |
| 30 | 545249-452 | * | * | * | * | * | * | * | * | * | 1 | 针杆连接柱螺钉 |
| 31 | 502659 | * | * | * | * | * | * | * | * | * | 1 | 旋转挑线盘组件 |
| 32 | 282158 | * | * | * | * | * | * | * | * | * | 1 | 旋转挑线盘 |
| 33 | 500244 | * | * | * | * | * | * | * | * | * | 2 | 旋转挑线盘螺钉 |
| 34 | 411010 | * | * | * | * | * | * | * | * | * | 1 | 导板水磨板 |
| 35 | 411009 | * | * | * | * | * | * | * | * | * | 1 | 导板连杆 |
| 36 | 545249-452 | * | * | * | * | * | * | * | * | * | 2 | 导板紧固螺钉 |



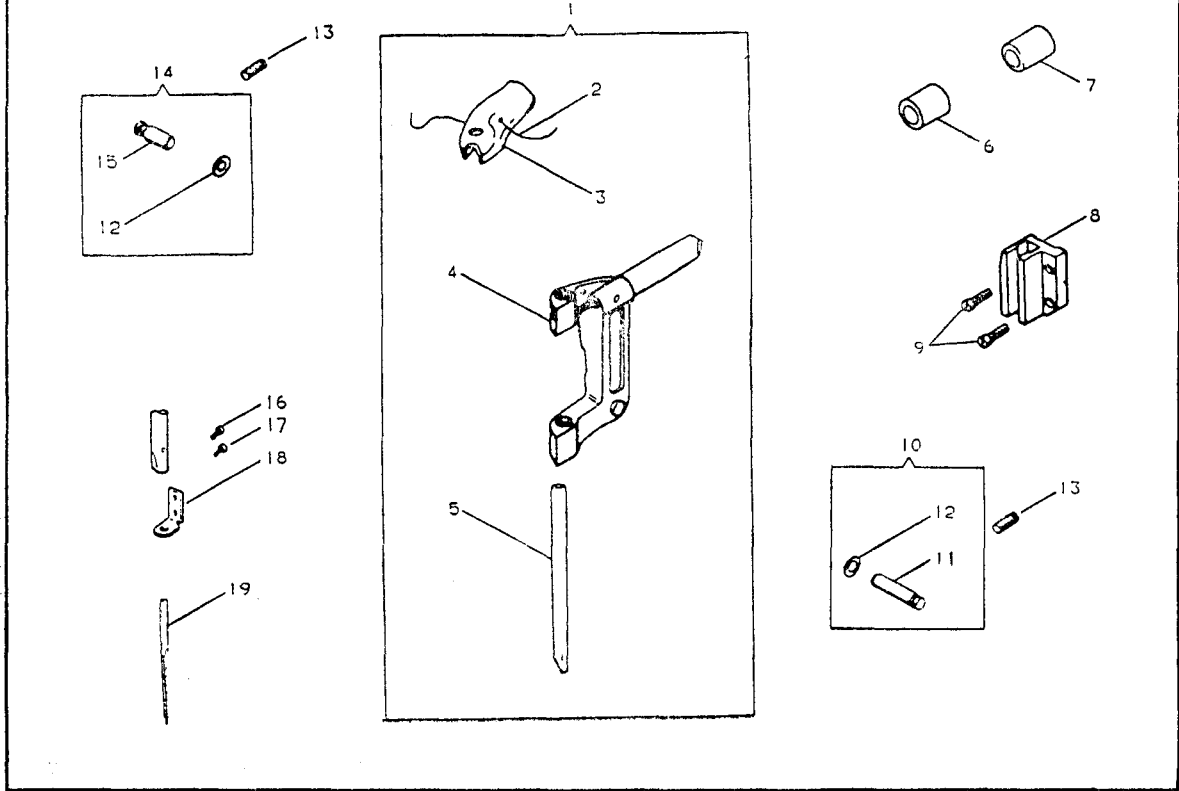
| 序号 | 件号 | | | | | | | | | | | 数量 | 名称 | | |
|----|-------------|--------|--------|--------|--------|--------|--------|--------|--------|--------|---|----|----|---|-------------|
| | | A105-L | A105-M | A125-L | A125-M | A135-L | A135-M | A140-M | A143-L | A143-M | | | | | |
| 1 | 411023 | * | * | * | * | * | * | * | * | * | * | | | 1 | 松线器组件 |
| 2 | 504509-452 | * | * | * | * | * | * | * | * | * | * | | | 1 | 松线器调节螺钉螺母 |
| 3 | 544295 | * | * | * | * | * | * | * | * | * | * | | | 1 | 松线器调节螺钉 |
| 4 | 411024 | * | * | * | * | * | * | * | * | * | * | | | 1 | 松线器 |
| 5 | 502662 | * | * | * | * | * | * | * | * | * | * | | | 1 | 松线器弹簧 |
| 6 | 544296 | * | * | * | * | * | * | * | * | * | * | | | 1 | 松线器轴位螺钉 |
| 7 | 544292 | * | * | * | * | * | * | * | * | * | * | | | 1 | 抬压脚杠杆销螺钉 |
| 8 | 544213-052 | * | * | * | * | * | * | * | * | * | * | | | 1 | 抬压脚杠杆座螺钉 |
| 9 | 282184 | * | * | * | * | * | * | * | * | * | * | | | 1 | 膝提器摇架组件 |
| | 282186 | - | - | - | - | - | - | - | - | - | - | | | 1 | 膝提器摇架组件 |
| 10 | 282185 | * | * | * | * | * | * | * | * | * | * | | | 1 | 膝提器摇架铰链 |
| 11 | 502679 | - | - | - | - | - | - | - | - | - | - | | | 1 | 抬压脚杠杆销 |
| | 543809-002 | - | - | - | - | - | - | - | - | - | - | | | 1 | 抬压脚杠杆销 |
| 12 | 502786 | * | * | * | * | * | * | * | * | * | * | | | 1 | 抬压脚杠杆销 |
| | 411299 | - | - | - | - | - | - | - | - | - | - | | | 1 | 抬压脚杠杆销 |
| 13 | 411180 | * | * | * | * | * | * | * | * | * | * | | | 1 | 抬压脚顶杆组件 |
| 14 | 543801-005 | * | * | * | * | * | * | * | * | * | * | | | 2 | 抬压脚顶杆挡圈 |
| 15 | 502586 | * | * | * | * | * | * | * | * | * | * | | | 1 | 抬压脚顶杆簧 |
| 16 | 411120-001 | * | * | * | * | * | * | * | * | * | * | | | 1 | 抬压脚顶杆簧压紧圈 |
| 17 | 545205-452 | * | * | * | * | * | * | * | * | * | * | | | 1 | 抬压脚顶杆簧压紧圈螺钉 |
| 18 | 500312-850 | * | * | * | * | * | * | * | * | * | * | | | 1 | 封油螺钉 |
| 19 | 545754 | * | * | * | * | * | * | * | * | * | * | | | 1 | 封油螺钉垫圈 |
| 20 | 282187 | * | * | * | * | * | * | * | * | * | * | | | 1 | 压杆簧调节螺钉 |
| 21 | 282146 | * | * | * | * | * | * | * | * | * | * | | | 1 | 调节螺钉压紧器 |
| 22 | 500261-850 | * | * | * | * | * | * | * | * | * | * | | | 1 | 抬压杆簧支承螺钉 |
| 23 | 417893 | * | * | * | * | * | * | * | * | * | * | | | 1 | 抬压杆簧组件 |
| 24 | 502653 | * | * | * | * | * | * | * | * | * | * | | | 1 | 抬压杆簧 |
| 25 | 417894 | * | * | * | * | * | * | * | * | * | * | | | 1 | 油线套管 |
| 26 | 502516 | * | * | * | * | * | * | * | * | * | * | | | 1 | 抬牙杆油线索 |
| 27 | 376112 | * | * | * | * | * | * | * | * | * | * | | | 1 | 压脚板手组件 |
| 28 | 544208-005 | * | * | * | * | * | * | * | * | * | * | | | 1 | 压脚板手螺钉 |
| 29 | 5443871-003 | * | * | * | * | * | * | * | * | * | * | | | 1 | 压脚板手轴O形圈 |
| 30 | 376181 | * | * | * | * | * | * | * | * | * | * | | | 1 | 压脚板手轴组件 |

压杆、针板、送料牙



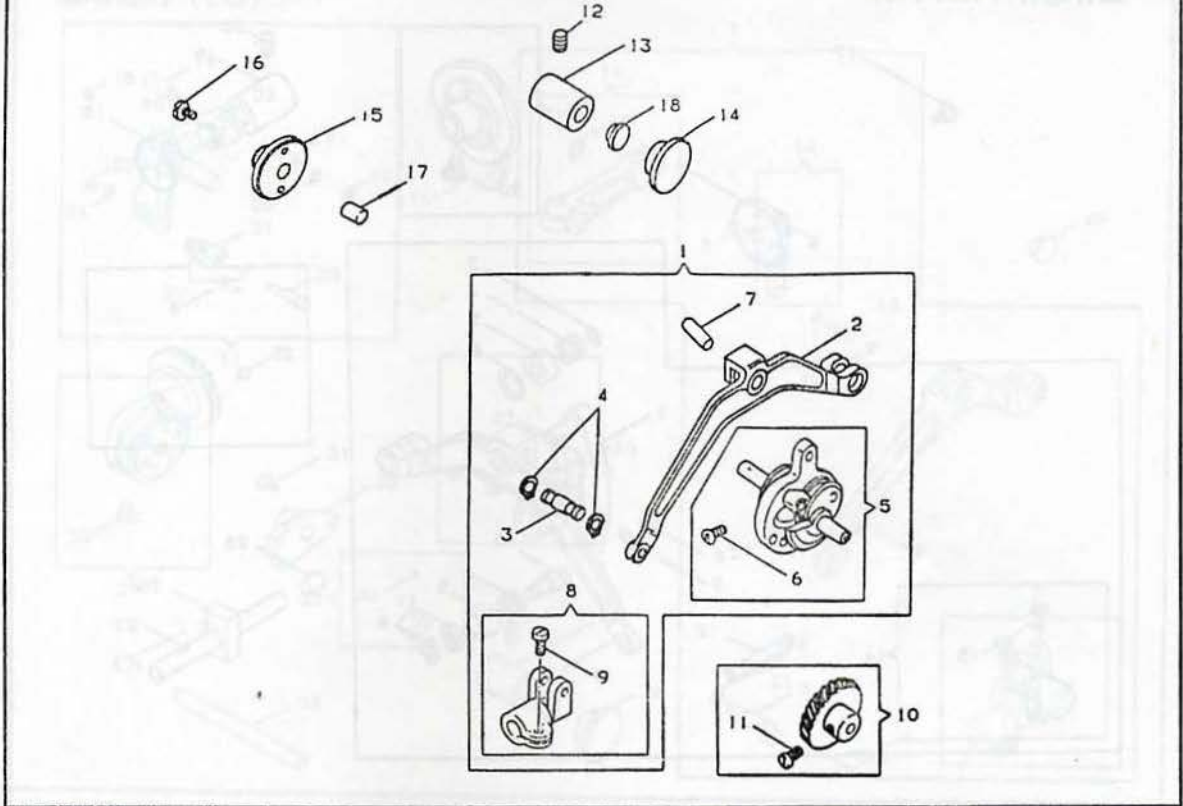
| 序号 | 件号 | | | | | | | | | 数量 | 名称 | |
|----|------------|--------|--------|--------|--------|--------|--------|--------|--------|----|----|----------|
| | | A105-L | A105-M | A125-L | A125-M | A135-L | A135-M | A140-M | A143-L | | | A143-M |
| 1 | 276025 | * | * | * | * | * | * | * | * | * | 1 | 钢球 |
| 2 | 411025 | * | * | * | * | * | * | * | * | * | 1 | 压杆导架组件 |
| 3 | 545249-452 | * | * | * | * | * | * | * | * | * | 1 | 压杆导架紧固螺钉 |
| 4 | 376000 | * | * | * | * | * | * | * | * | * | 1 | 压杆轴套罩 |
| 5 | 282150 | * | * | * | * | * | * | * | * | * | 1 | 压杆轴套 |
| 6 | 502948 | * | * | * | * | * | * | * | * | * | 1 | 压杆 |
| 7 | 500256 | * | * | * | * | * | * | * | * | * | 1 | 压脚螺钉 |
| 8 | 503818 | * | * | * | * | * | * | * | * | * | 1 | 活压脚部件 |
| 9 | 411215 | — | — | * | * | — | — | — | — | — | 1 | 活压脚部件 |
| 10 | 545201 | — | — | * | * | — | — | — | — | — | 1 | 压脚板止动螺钉 |
| 11 | 548101 | — | — | * | * | — | — | — | — | — | 1 | 止动螺钉弹簧 |
| 12 | 411314 | — | — | — | — | — | — | — | * | * | 1 | 活压脚部件 |
| 13 | 266125 | — | — | — | — | — | — | — | * | * | 1 | 活压脚部件 |
| 14 | 376184 | * | * | * | * | * | * | * | * | * | 1 | 压杆提升凸掣子 |
| 15 | 86-850 | * | * | * | * | * | * | * | * | * | 1 | 压杆提升螺钉 |
| 16 | 500244 | * | * | * | * | * | * | * | * | * | 2 | 针板内盖板螺钉 |
| 17 | 282193 | * | * | * | * | * | * | * | * | * | 1 | 针板内盖板 |
| 18 | 500244 | * | * | * | * | * | * | * | * | * | 2 | 针板螺钉 |
| 19 | 282188 | * | * | — | — | * | — | — | * | — | 1 | 针板 |
| | 282189 | — | * | — | — | — | — | — | — | * | 1 | 针板 |
| | 282190 | — | — | * | — | — | — | — | — | — | 1 | 针板 |
| | 282191 | — | — | — | * | — | — | — | — | — | 1 | 针板 |
| | 282192 | — | — | — | — | — | — | — | — | — | 1 | 针板 |
| 20 | 282194 | * | * | * | * | * | * | * | * | * | 1 | 推板组件 |
| 21 | 508506 | * | * | * | * | * | * | * | * | * | 1 | 推板簧 |
| 22 | 238 | * | * | * | * | * | * | * | * | * | 2 | 推板簧螺钉 |
| 23 | 50624-833 | * | * | * | * | * | * | * | * | * | 2 | 送料牙螺钉 |
| 24 | 417920 | * | * | — | — | * | — | — | * | — | 1 | 送料牙 |
| | 503683 | — | * | — | — | — | — | — | — | — | 1 | 送料牙 |
| | 417919 | — | — | * | — | — | — | — | — | — | 1 | 送料牙 |
| | 502547-001 | — | — | — | * | — | — | — | — | — | 1 | 送料牙 |
| | 503743 | — | — | — | — | * | — | — | — | — | 1 | 送料牙 |
| | 266038 | — | — | — | — | — | * | — | — | — | 1 | 送料牙 |
| | 411338 | — | — | — | — | — | — | * | — | — | 1 | 送料牙 |

针杆摆动架、针杆



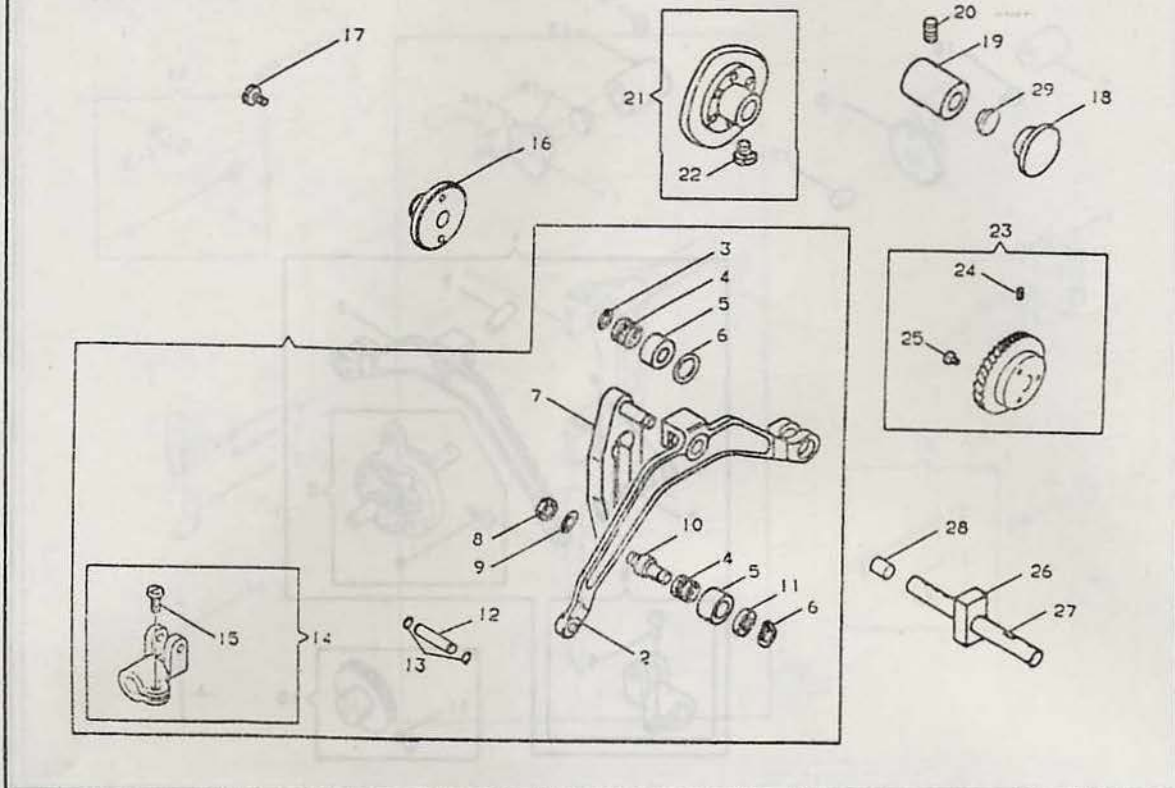
| 序号 | 件号 | | | | | | | | | 数量 | 名称 | |
|----|-------------|--------|--------|--------|--------|--------|--------|--------|--------|----|----|-----------|
| | | A105-L | A105-M | A125-L | A125-M | A135-L | A135-M | A140-M | A143-L | | | A143-M |
| 1 | 508879-002 | * | * | * | * | * | * | * | * | * | 1 | 针杆摆动架组件 |
| 2 | 502594 | * | * | * | * | * | * | * | * | * | 1 | 油毡线 |
| 3 | 502608 | * | * | * | * | * | * | * | * | * | 1 | 针杆油毡 |
| 4 | 508880 | * | * | * | * | * | * | * | * | * | 1 | 针杆摆动架 |
| 5 | 282270 | * | * | * | * | * | * | * | * | * | 1 | 针杆 |
| 6 | 502674 | * | * | * | * | * | * | * | * | * | 1 | 针杆摆动架前轴套 |
| 7 | 502672 | * | * | * | * | * | * | * | * | * | 1 | 针杆摆动架后轴套 |
| 8 | 411001 | * | * | * | * | * | * | * | * | * | 1 | 针杆连接柱导轨 |
| 9 | 545249-452 | * | * | * | * | * | * | * | * | * | 2 | 导轨螺钉 |
| 10 | 411132 | * | * | * | * | * | * | * | * | * | 1 | 摆动架长定位销组件 |
| 11 | 508884 | * | * | * | * | * | * | * | * | * | 1 | 摆动架长定位销 |
| 12 | 502930 | * | * | * | * | * | * | * | * | * | 2 | 摆动架销O形圈 |
| 13 | 544301 | * | * | * | * | * | * | * | * | * | 2 | 摆动架定位销螺钉 |
| 14 | 411131 | * | * | * | * | * | * | * | * | * | 1 | 摆动架短定位销组件 |
| 15 | 508883 | * | * | * | * | * | * | * | * | * | 1 | 摆动架短定位销 |
| 16 | 545180-452 | * | * | * | * | * | * | * | * | * | 1 | 针杆线钩固定螺钉 |
| 17 | 223 | * | * | * | * | * | * | * | * | * | 1 | 机针螺钉 |
| 18 | 502597 | * | * | * | * | * | * | * | * | * | 1 | 针杆线钩 |
| 19 | N1906-07-10 | * | * | * | * | * | * | * | * | * | 1 | 机针 |
| | N1906-07-10 | * | - | * | - | * | - | * | - | * | 1 | 机针 |
| | N1906-01-12 | - | * | - | * | - | * | - | * | - | 1 | 机针 |

摆针连杆 (105/125)



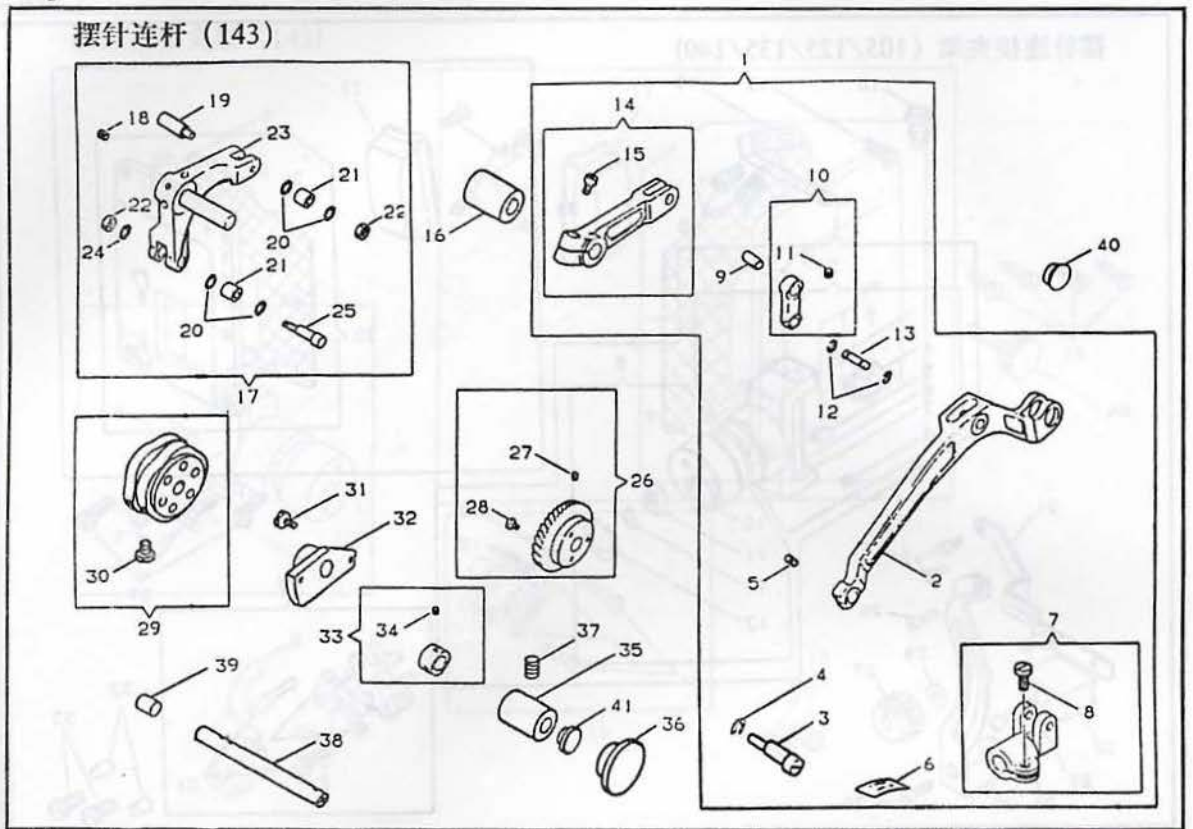
| 序号 | 件号 | | | | | | | 数量 | 名称 | | | |
|----|------------|--------|--------|--------|--------|--------|--------|----|----|--------|--------|----------|
| | | A105-L | A105-M | A125-L | A125-M | A135-L | A135-M | | | A140-M | A143-L | A143-M |
| 1 | 411073 | * | * | * | * | - | - | - | - | - | 1 | 摆针组件 |
| 2 | 502768 | * | * | * | * | - | - | - | - | - | 1 | 摆针连杆 |
| 3 | 502785 | * | * | * | * | - | - | - | - | - | 1 | 摆针连接座销 |
| 4 | 502802 | * | * | * | * | - | - | - | - | - | 2 | 连接座销挡圈 |
| 5 | 502787 | * | * | * | * | - | - | - | - | - | 1 | 摆针偏心组件 |
| 6 | 504112 | * | * | * | * | - | - | - | - | - | 1 | 偏心轮曲柄螺钉 |
| 7 | 411499 | * | * | * | * | - | - | - | - | - | 1 | 偏心轮曲柄销 |
| 8 | 411074 | * | * | * | * | - | - | - | - | - | 1 | 摆针连接座组件 |
| 9 | 544236 | * | * | * | * | - | - | - | - | - | 1 | 摆针连接座螺钉 |
| 10 | 411045 | * | * | * | * | - | - | - | - | - | 1 | 摆针齿轮 |
| 11 | 504101 | * | * | * | * | - | - | - | - | - | 2 | 摆针齿轮螺钉 |
| 12 | 500303-869 | * | * | * | * | - | - | - | - | - | 1 | 摆针轴前轴套螺钉 |
| 13 | 282195 | * | * | * | * | - | - | - | - | - | 1 | 摆针轴前轴套 |
| 14 | 502760 | * | * | * | * | - | - | - | - | - | 1 | 摆针轴油封 |
| 15 | 411053 | * | * | * | * | - | - | - | - | - | 1 | 摆针轴后轴套 |
| 16 | 544286 | * | * | * | * | - | - | - | - | - | 2 | 摆针轴后轴套螺钉 |
| 17 | 282224 | * | * | * | * | - | - | - | - | - | 1 | 摆针轴油塞 |
| 18 | 502831 | * | * | * | * | - | - | - | - | - | 1 | 摆针轴前轴套油塞 |

摆针连杆 (135/140)



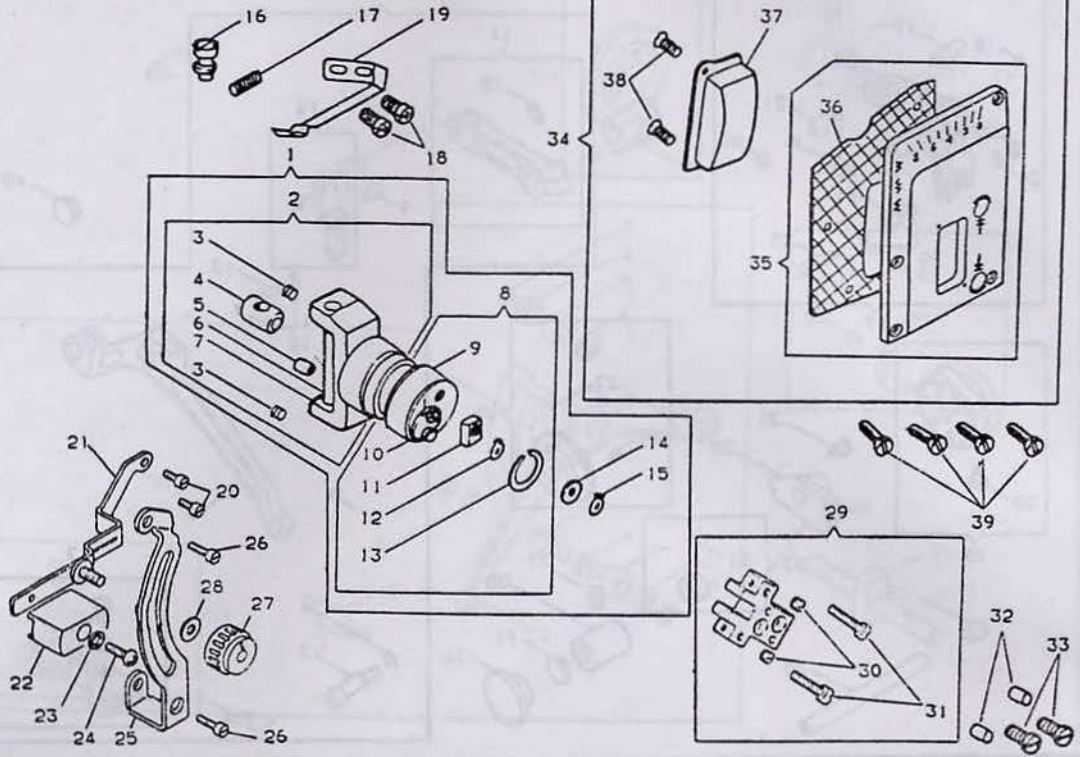
| 序号 | 件号 | | | | | | | | | 数量 | 名称 | | |
|----|------------|--------|--------|--------|--------|--------|--------|--------|--------|----|----|--------|-------------|
| | | A105-L | A105-M | A125-L | A125-M | A135-L | A135-M | A140-M | A143-L | | | A143-M | |
| 1 | 411168 | | | | | * | * | * | | | | 1 | 摆针组件 |
| 2 | 502957 | | | | | * | * | * | | | | 1 | 摆针连杆 |
| 3 | 502990 | | | | | * | * | * | | | | 1 | 摆针凸轮滚柱弹性垫圈 |
| 4 | 502964 | | | | | * | * | * | | | | 2 | 摆针凸轮滚柱滚针轴承套 |
| 5 | 502960 | | | | | * | * | * | | | | 2 | 摆针凸轮滚柱 |
| 6 | 502958 | | | | | * | * | * | | | | 2 | 摆针连杆挡圈 |
| 7 | 502959 | | | | | * | * | * | | | | 1 | 摆针凸轮滚柱导向器 |
| 8 | 1664-850 | | | | | * | * | * | | | | 1 | 摆针凸轮滚柱螺母 |
| 9 | 502961 | | | | | * | * | * | | | | 1 | 滚柱弹性垫圈 |
| 10 | 411169 | | | | | * | * | * | | | | 1 | 凸轮滚柱螺栓 |
| 11 | 502963 | | | | | * | * | * | | | | 1 | 螺栓垫圈 |
| 12 | 502785 | | | | | * | * | * | | | | 1 | 摆针连杆座销 |
| 13 | 502802 | | | | | * | * | * | | | | 2 | 摆针连杆座销挡圈 |
| 14 | 411074 | | | | | * | * | * | | | | 1 | 摆针连杆座 |
| 15 | 544286 | | | | | * | * | * | | | | 1 | 摆针连杆座螺钉 |
| 16 | 411053 | | | | | * | * | * | | | | 1 | 摆针轴后轴套 |
| 17 | 544286 | | | | | * | * | * | | | | 2 | 后轴套垫圈螺钉 |
| 18 | 502760 | | | | | * | * | * | | | | 1 | 摆针前轴套油封 |
| 19 | 282195 | | | | | * | * | * | | | | 1 | 摆针前轴套 |
| 20 | 500303-869 | | | | | * | * | * | | | | 1 | 摆针前轴套螺钉 |
| 21 | 411146 | | | | | * | * | * | | | | 1 | 摆针凸轮 |
| 22 | 545136-452 | | | | | * | * | * | | | | 2 | 摆针凸轮螺钉 |
| 23 | 411174 | | | | | * | * | * | | | | 1 | 摆针齿轮 |
| 24 | 544307 | | | | | * | * | * | | | | 2 | 摆针齿轮螺钉 |
| 25 | 545249-452 | | | | | * | * | * | | | | 3 | 齿轮盘螺钉 |
| 26 | 502966 | | | | | * | * | * | | | | 1 | 摆针凸轮滑块 |
| 27 | 502968 | | | | | * | * | * | | | | 1 | 摆针齿轮轴 |
| 28 | 282224 | | | | | * | * | * | | | | 1 | 摆针齿轮轴油塞 |
| 29 | 502831 | | | | | * | * | * | | | | 1 | 摆针前轴套油塞 |

摆针连杆 (143)



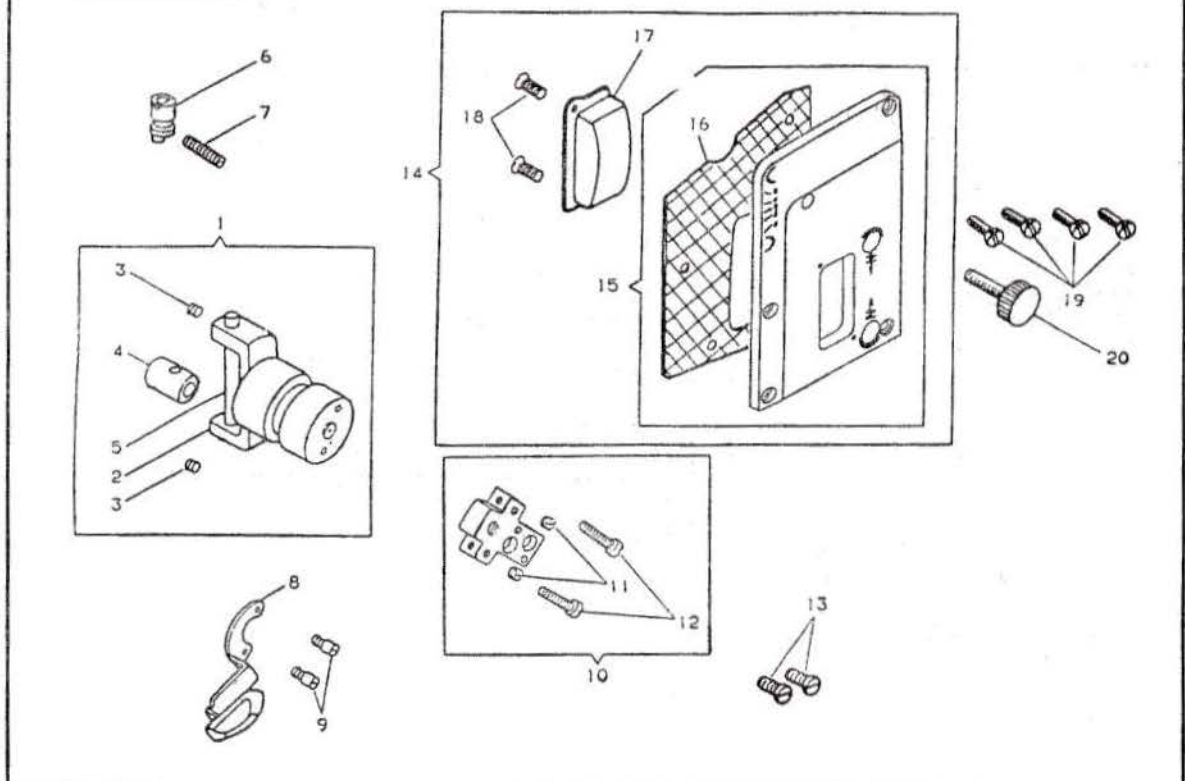
| 序号 | 件号 | A105-L | A105-M | A125-L | A125-M | A135-L | A135-M | A140-M | A143-L | A143-M | 数量 | 名称 |
|----|------------|--------|--------|--------|--------|--------|--------|--------|--------|--------|----|-------------|
| 1 | 411277 | | | | | | | | * | * | 1 | 摆针组件 |
| 2 | 411278 | | | | | | | | * | * | 1 | 摆针连杆 |
| 3 | 411220 | | | | | | | | * | * | 1 | 摆针连杆座销 |
| 4 | 543801-003 | | | | | | | | * | * | 1 | 摆针连杆座销挡圈 |
| 5 | 545181 | | | | | | | | * | * | 1 | 摆针连杆销螺钉 |
| 6 | 512619 | | | | | | | | * | * | 1 | 摆针连杆座毛毡 |
| 7 | 411223 | | | | | | | | * | * | 1 | 摆针连杆座 |
| 8 | 544286 | | | | | | | | * | * | 1 | 摆针连杆座螺钉 |
| 9 | 411283 | | | | | | | | * | * | 1 | 摆针传动杆连接销 |
| 10 | 411281 | | | | | | | | * | * | 1 | 摆针传动杆 |
| 11 | 544203-001 | | | | | | | | * | * | 1 | 传动杆销螺钉 |
| 12 | 549836 | | | | | | | | * | * | 2 | 传动杆连接销挡圈 |
| 13 | 411284 | | | | | | | | * | * | 1 | 传动杆连接销 |
| 14 | 411279 | | | | | | | | * | * | 1 | 连杆传动杆 |
| 15 | 350831-869 | | | | | | | | * | * | 1 | 传动杆螺钉 |
| 16 | 411290 | | | | | | | | * | * | 1 | 从动器杠杆摆针轴套 |
| 17 | 411235 | | | | | | | | * | * | 1 | 凸轮从动器杠杆组件 |
| 18 | 544204-001 | | | | | | | | * | * | 1 | 凸轮从动器杠杆螺钉 |
| 19 | 544438 | | | | | | | | * | * | 1 | 凸轮从动器滚柱销 |
| 20 | 543815-003 | | | | | | | | * | * | 4 | 凸轮从动器滚柱止推垫圈 |
| 21 | 411238 | | | | | | | | * | * | 2 | 凸轮从动器滚柱 |
| 22 | 541130 | | | | | | | | * | * | 2 | 凸轮从动器滚柱螺母 |
| 23 | 411236 | | | | | | | | * | * | 1 | 凸轮从动器杠杆 |
| 24 | 543849-004 | | | | | | | | * | * | 1 | 偏心轴垫圈 |
| 25 | 544437 | | | | | | | | * | * | 1 | 凸轮从动器偏心轴 |
| 26 | 411306 | | | | | | | | * | * | 1 | 摆针齿轮 |
| 27 | 544307 | | | | | | | | * | * | 2 | 摆针齿轮螺钉 |
| 28 | 545249-452 | | | | | | | | * | * | 3 | 齿轮盘螺钉 |
| 29 | 411295 | | | | | | | | * | * | 1 | 摆针凸轮 |
| 30 | 545136-452 | | | | | | | | * | * | 2 | 摆针凸轮螺钉 |
| 31 | 544238 | | | | | | | | * | * | 2 | 摆针后轴套螺钉 |
| 32 | 411291 | | | | | | | | * | * | 1 | 摆针后轴套 |
| 33 | 411292 | | | | | | | | * | * | 1 | 摆针凸轮轴挡圈 |
| 34 | 544205-001 | | | | | | | | * | * | 2 | 挡圈紧固螺钉 |
| 35 | 282195 | | | | | | | | * | * | 1 | 摆针前轴套 |
| 36 | 502760 | | | | | | | | * | * | 1 | 摆针前轴套油封 |
| 37 | 500303-869 | | | | | | | | * | * | 1 | 摆针前轴套螺钉 |
| 38 | 411294 | | | | | | | | * | * | 1 | 摆针轴 |
| 39 | 502752 | | | | | | | | * | * | 1 | 摆针轴油盘 |
| 40 | 544732 | | | | | | | | * | * | 1 | 机针位可调油塞 |
| 41 | 502831 | | | | | | | | * | * | 1 | 摆针前轴套油塞 |

摆针连接夹架 (105/125/135/140)



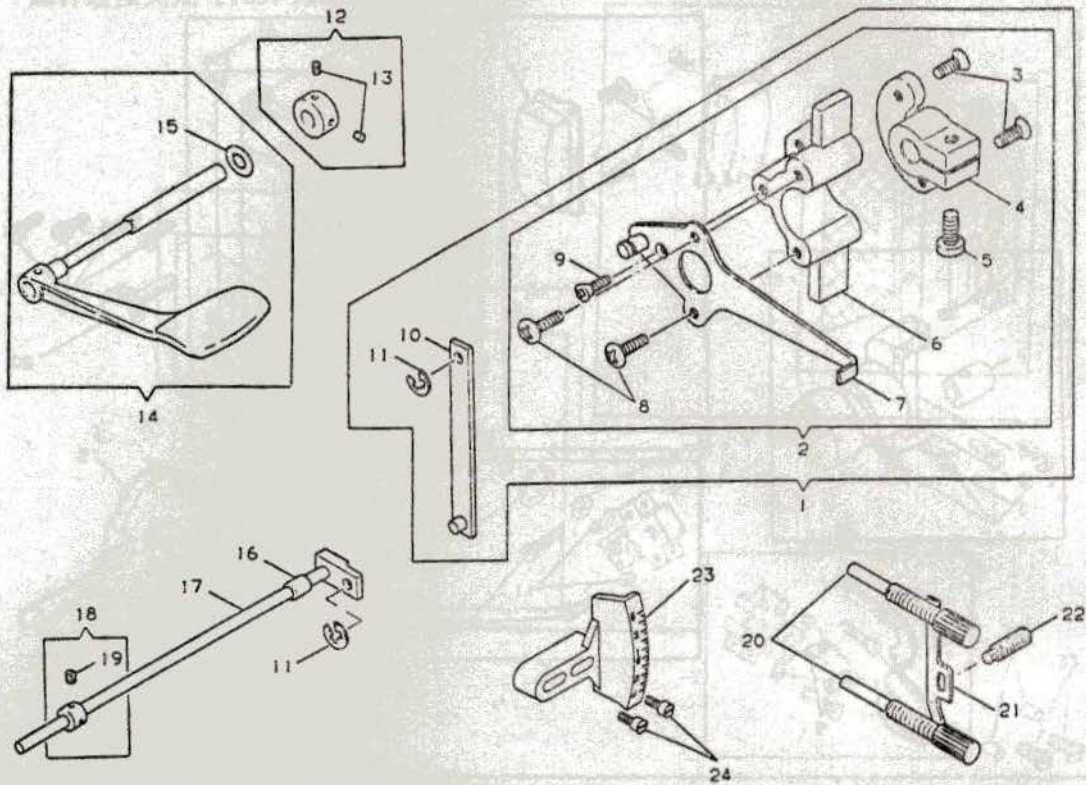
| 序号 | 件号 | Δ105-L | Δ105-M | Δ125-L | Δ125-M | Δ135-L | Δ135-M | Δ140-M | Δ143-L | Δ143-M | 数量 | 名称 |
|----|------------|--------|--------|--------|--------|--------|--------|--------|--------|--------|----|-------------|
| 1 | 411068-945 | * | * | * | * | * | * | * | | | 1 | 摆针连接夹架组件 |
| 2 | 411068 | * | * | * | * | * | * | * | | | 1 | 摆针连接夹滑块组件 |
| 3 | 504048 | * | * | * | * | * | * | * | | | 2 | 摆针连杆滑块轴紧固螺钉 |
| 4 | 502850-931 | * | * | * | * | * | * | * | | | 1 | 摆针连杆滑块 |
| 5 | 502789 | * | * | * | * | * | * | * | | | 1 | 摆针连接夹架销 |
| 6 | 411246 | * | * | * | * | * | * | * | | | 1 | 摆针连杆滑轴 |
| 7 | 411069 | * | * | * | * | * | * | * | | | 1 | 摆针连杆夹头架 |
| 8 | 411070 | * | * | * | * | * | * | * | | | 1 | 针位调节偏心轴组件 |
| 9 | 411071 | * | * | * | * | * | * | * | | | 1 | 针位调节偏心轴套 |
| 10 | 502776 | * | * | * | * | * | * | * | | | 1 | 针位调节轴组件 |
| 11 | 502781 | * | * | * | * | * | * | * | | | 1 | 针位调节轴滑块 |
| 12 | 502793 | * | * | * | * | * | * | * | | | 1 | 针位调节轴滑块挡圈 |
| 13 | 502762 | * | * | * | * | * | * | * | | | 2 | 针位调节轴开口挡圈 |
| 14 | 502800 | * | * | * | * | * | * | * | | | 1 | 摆针连杆夹头架垫圈 |
| 15 | 502802 | * | * | * | * | * | * | * | | | 1 | 摆针连杆夹头架挡圈 |
| 16 | 411046 | * | * | * | * | * | * | * | | | 1 | 针位调节轴套偏心销 |
| 17 | 544302 | * | * | * | * | * | * | * | | | 1 | 偏心销紧固螺钉 |
| 18 | 544212-052 | * | * | * | * | * | * | * | | | 2 | 针位调节偏心轴套定位簧 |
| 19 | 502794 | * | * | * | * | * | * | * | | | 1 | 定位簧螺钉 |
| 20 | 500302-850 | * | * | * | * | * | * | * | | | 2 | 针位调节轴套定位螺钉 |
| 21 | 282258 | * | * | * | * | * | * | * | | | 1 | 针位调节杠杆组件 |
| 22 | 282259 | * | * | * | * | * | * | * | | | 1 | 调节杠杆扳手 |
| 23 | 543804-002 | * | * | * | * | * | * | * | | | 1 | 杠杆扳手垫圈 |
| 24 | 544211-055 | * | * | * | * | * | * | * | | | 1 | 杠杆扳手螺钉 |
| 25 | 282260 | * | * | * | * | * | * | * | | | 1 | 调节杠杆锁紧架 |
| 26 | 544212-052 | * | * | * | * | * | * | * | | | 2 | 调节杠杆锁紧架螺钉 |
| 27 | 368033 | * | * | * | * | * | * | * | | | 1 | 针位调节杠杆锁紧架螺母 |
| 28 | 543803-013 | * | * | * | * | * | * | * | | | 1 | 锁紧螺母垫圈 |
| 29 | 411051 | * | * | * | * | * | * | * | | | 1 | 针位调节轴滑架组件 |
| 30 | 500067-833 | * | * | * | * | * | * | * | | | 2 | 调节螺钉紧固螺钉 |
| 31 | 544308 | * | * | * | * | * | * | * | | | 2 | 针位调节轴套调节螺钉 |
| 32 | 548226 | * | * | * | * | * | * | * | | | 2 | 针位调节轴滑块架定位销 |
| 33 | 544286 | * | * | * | * | * | * | * | | | 2 | 滑块架螺钉 |
| 34 | 282196-451 | * | * | * | * | * | * | * | | | 1 | 前盖组件 |
| | 282199-451 | * | * | * | * | * | * | * | | | 1 | 前盖组件 |
| 35 | 282285-451 | * | * | * | * | * | * | * | | | 1 | 前盖板组件 |
| | 282286-451 | * | * | * | * | * | * | * | | | 1 | 前盖板组件 |
| | 282287-451 | * | * | * | * | * | * | * | | | 1 | 前盖板组件 |
| 36 | 282206 | * | * | * | * | * | * | * | | | 1 | 前盖板密封垫 |
| 37 | 282198 | * | * | * | * | * | * | * | | | 1 | 针距指示板窗 |
| 38 | 374397-003 | * | * | * | * | * | * | * | | | 2 | 针距指示板窗螺钉 |
| 39 | 544213-053 | * | * | * | * | * | * | * | | | 4 | 前盖板螺钉 |

摆针连接夹架 (143)



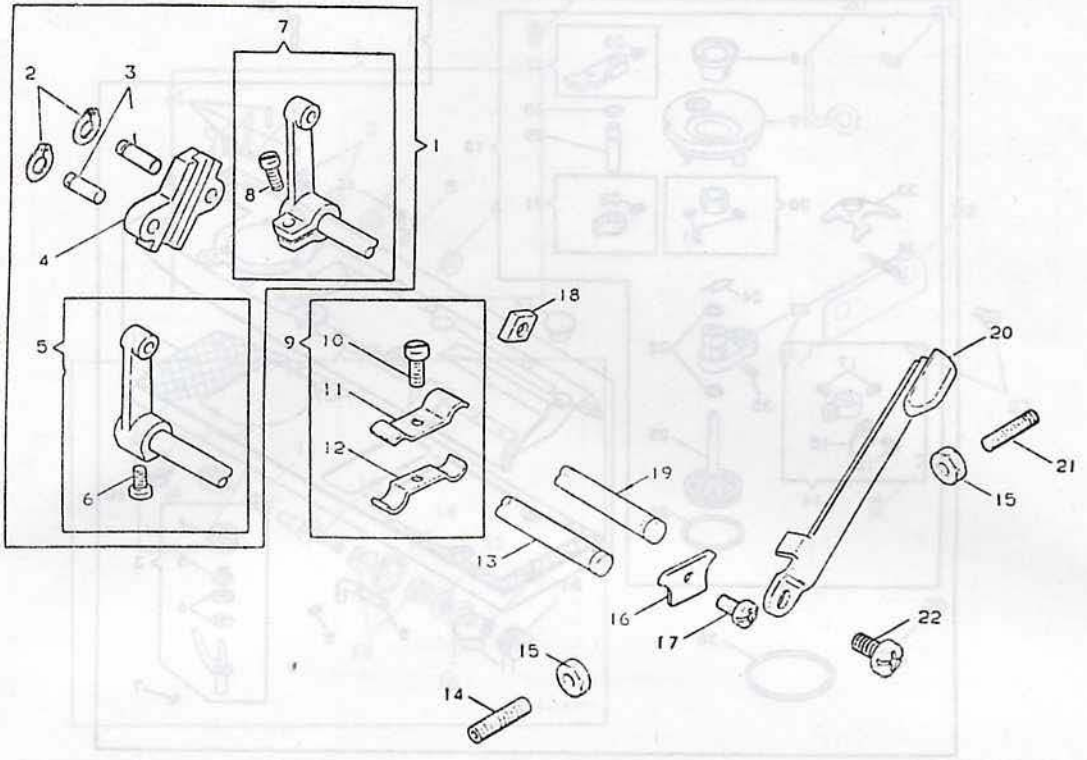
| 序号 | 件号 | A105-L | A105-M | A125-L | A125-M | A135-L | A135-M | A140-M | A143-L | A143-M | 数量 | 名称 |
|----|------------|--------|--------|--------|--------|--------|--------|--------|--------|--------|----|-------------|
| 1 | 411275 | - | - | - | - | - | - | - | * | * | 1 | 摆针连接夹架组件 |
| 2 | 411276 | - | - | - | - | - | - | - | * | * | 1 | 摆针连接夹架 |
| 3 | 504048 | - | - | - | - | - | - | - | * | * | 2 | 摆针连杆滑块轴紧固螺钉 |
| 4 | 502850-931 | - | - | - | - | - | - | - | * | * | 1 | 摆针连杆滑块 |
| 5 | 411246 | - | - | - | - | - | - | - | * | * | 1 | 摆针连杆滑轴 |
| 6 | 411046 | - | - | - | - | - | - | - | * | * | 1 | 针位调节轴套偏心销 |
| 7 | 544302 | - | - | - | - | - | - | - | * | * | 1 | 偏心销紧固螺钉 |
| 8 | 411337-451 | - | - | - | - | - | - | - | * | * | 1 | 针位调节杠杆 |
| 9 | 500302-850 | - | - | - | - | - | - | - | * | * | 2 | 针位调节轴套定位螺钉 |
| 10 | 411170 | - | - | - | - | - | - | - | * | * | 1 | 针位调节轴滑架组件 |
| 11 | 500667-833 | - | - | - | - | - | - | - | * | * | 2 | 调节螺钉紧固螺钉 |
| 12 | 544283 | - | - | - | - | - | - | - | * | * | 2 | 针位调节轴套调节螺钉 |
| 13 | 544286 | - | - | - | - | - | - | - | * | * | 2 | 滑块架螺钉 |
| 14 | 282204-451 | - | - | - | - | - | - | - | * | * | 1 | 前盖组件 |
| 15 | 282288-451 | - | - | - | - | - | - | - | * | * | 1 | 前盖板组件 |
| 16 | 282206 | - | - | - | - | - | - | - | * | * | 1 | 前盖板密封垫 |
| 17 | 282198 | - | - | - | - | - | - | - | * | * | 1 | 针距指示板窗 |
| 18 | 374397-003 | - | - | - | - | - | - | - | * | * | 2 | 针距指示板窗螺钉 |
| 19 | 544213-053 | - | - | - | - | - | - | - | * | * | 4 | 前盖板螺钉 |
| 20 | 502951-850 | - | - | - | - | - | - | - | * | * | 1 | 针位调节凸轮轴固定螺钉 |

倒送料调节



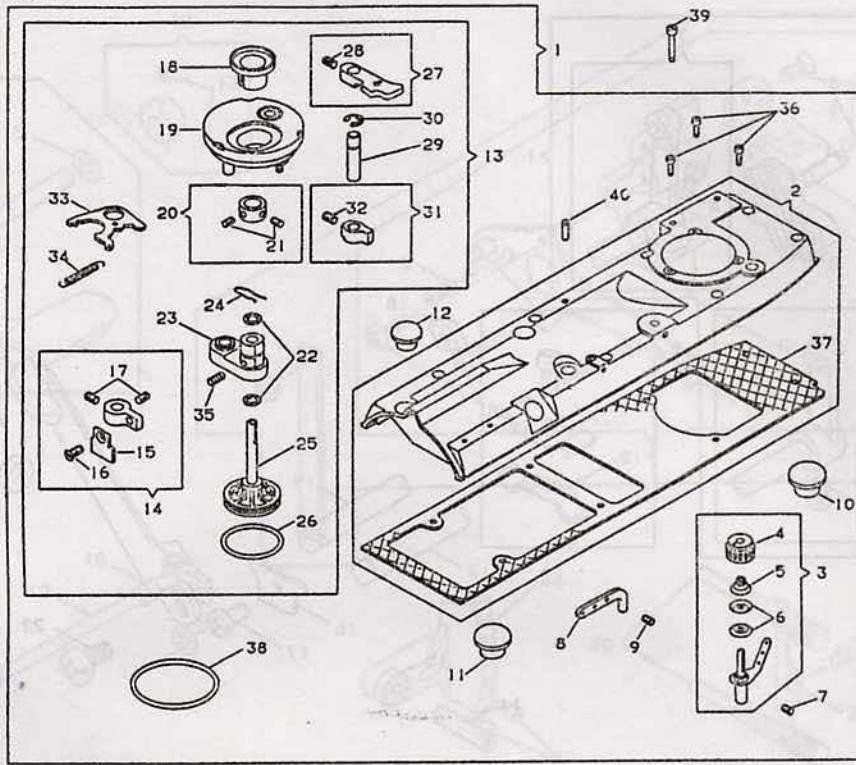
| 序号 | 件号 | | | | | | | | | 数量 | 名称 | | |
|----|------------|--------|--------|--------|--------|--------|--------|--------|--------|----|----|--------|------------|
| | | △105-L | △105-M | △125-L | △125-M | △135-L | △135-M | △140-M | △143-L | | | △143-M | |
| 1 | 376118 | * | * | * | * | * | * | * | * | * | * | 1 | 倒送料调节指示器组件 |
| 2 | 3761129 | * | * | * | * | * | * | * | * | * | * | 1 | 倒送料调节指示器 |
| 3 | 374496-005 | * | * | * | * | * | * | * | * | * | * | 2 | 针距调节器锁紧螺钉 |
| 4 | 376131 | * | * | * | * | * | * | * | * | * | * | 1 | 针距调节器锁紧块 |
| 5 | 544214-055 | * | * | * | * | * | * | * | * | * | * | 1 | 锁紧块螺钉 |
| 6 | 376130 | * | * | * | * | * | * | * | * | * | * | 1 | 针距调节器 |
| 7 | 376132 | * | * | * | * | * | * | * | * | * | * | 1 | 针距调节器指示板组件 |
| 8 | 544212-052 | * | * | * | * | * | * | * | * | * | * | 2 | 针距调节器指示板螺钉 |
| 9 | 414685-001 | * | * | * | * | * | * | * | * | * | * | 1 | 指示板小螺钉 |
| 10 | 411150 | * | * | * | * | * | * | * | * | * | * | 1 | 针距调节器连杆组件 |
| 11 | 543801-005 | * | * | * | * | * | * | * | * | * | * | 2 | 指示板销挡圈 |
| 12 | 376134 | * | * | * | * | * | * | * | * | * | * | 1 | 倒针板手轴挡圈 |
| 13 | 544204-001 | * | * | * | * | * | * | * | * | * | * | 2 | 倒针板手轴挡圈螺钉 |
| 14 | 502878-451 | * | * | * | * | * | * | * | * | * | * | 1 | 倒针板手组件 |
| 15 | 543871-005 | * | * | * | * | * | * | * | * | * | * | 1 | 倒针板手轴O形圈 |
| 16 | 502868 | * | * | * | * | * | * | * | * | * | * | 1 | 送料调节轴轴套 |
| 17 | 411184 | * | * | * | * | * | * | * | * | * | * | 1 | 送料调节轴组件 |
| 18 | 411065 | * | * | * | * | * | * | * | * | * | * | 1 | 送料调节轴挡圈 |
| 19 | 545174-452 | * | * | * | * | * | * | * | * | * | * | 2 | 送料调节轴挡圈螺钉 |
| 20 | 500309-850 | * | * | * | * | * | * | * | * | * | * | 2 | 倒针调节螺钉 |
| 21 | 502849 | * | * | * | * | * | * | * | * | * | * | 1 | 调节螺钉弹簧片 |
| 22 | 374613 | * | * | * | * | * | * | * | * | * | * | 1 | 弹簧片螺钉 |
| 23 | 282207 | * | * | * | * | * | * | * | * | * | * | 1 | 倒针调节指示牌 |
| 24 | 544212-055 | * | * | * | * | * | * | * | * | * | * | 2 | 指示牌螺钉 |

摆针调节



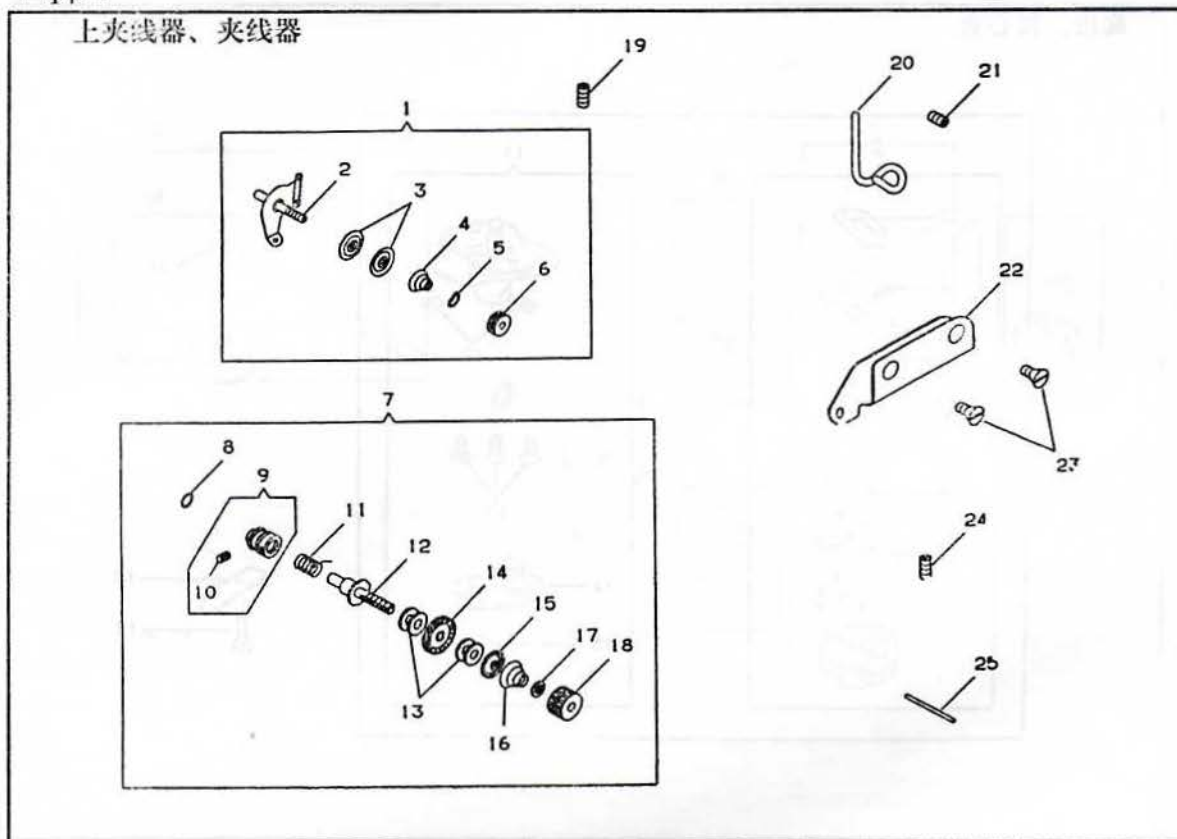
| 序号 | 件号 | | | | | | | | | 数量 | 名称 | | |
|----|------------|--------|--------|--------|--------|--------|--------|--------|--------|----|----|--------|------------|
| | | A105-L | A105-M | A125-L | A125-M | A135-L | A135-M | A140-M | A143-L | | | A143-M | |
| 1 | 411041 | * | * | * | * | * | * | * | * | - | - | 1 | 摆针调节组件 |
| 2 | 502793 | * | * | * | * | * | * | * | * | - | - | 2 | 调节架销挡圈 |
| 3 | 502776 | * | * | * | * | * | * | * | * | - | - | 2 | 摆针调节架销 |
| 4 | 502775 | * | * | * | * | * | * | * | * | - | - | 1 | 摆针调节架销 |
| 5 | 411042 | * | * | * | * | * | * | * | * | - | - | 1 | 摆针调节架 |
| 6 | 549168 | * | * | * | * | * | * | * | * | - | - | 1 | 导向曲柄螺钉 |
| 7 | 411044 | * | * | * | * | * | * | * | * | - | - | 1 | 摆针调节曲柄 |
| 8 | 545249-452 | * | * | * | * | * | * | * | * | - | - | 1 | 摆针调节曲柄螺钉 |
| 9 | 411077 | * | * | * | * | * | * | * | * | - | - | 1 | 摆针调节轴压板组件 |
| 10 | 545361-452 | * | * | * | * | * | * | * | * | - | - | 1 | 压板螺钉 |
| 11 | 502922 | * | * | * | * | * | * | * | * | - | - | 1 | 摆针调节轴压板(上) |
| 12 | 411078 | * | * | * | * | * | * | * | * | - | - | 1 | 摆针调节轴压板(下) |
| 13 | 502783 | * | * | * | * | * | * | * | * | - | - | 1 | 摆针调节导向轴 |
| 14 | 544208-004 | * | * | * | * | * | * | * | * | - | - | 1 | 摆针调节限位左螺钉 |
| | 544208-012 | - | - | * | * | * | * | * | * | - | - | 1 | 摆针调节限位左螺钉 |
| 15 | 541166-002 | * | * | * | * | * | * | * | * | - | - | 2 | 摆针调节限位螺母 |
| 16 | 502788 | * | * | * | * | * | * | * | * | - | - | 1 | 摆针调节架止动板 |
| 17 | 544213-051 | * | * | * | * | * | * | * | * | - | - | 1 | 止动板螺钉 |
| 18 | 502782 | * | * | * | * | * | * | * | * | - | - | 1 | 针位调节轴滑块 |
| 19 | 411047 | * | * | * | * | * | * | * | * | - | - | 1 | 摆针调节架轴 |
| 20 | 502803-451 | * | * | * | * | * | * | * | * | - | - | 1 | 摆针调节手柄 |
| 21 | 544208-004 | * | * | * | * | * | * | * | * | - | - | 1 | 摆针调节限位右螺钉 |
| 22 | 544282 | * | * | * | * | * | * | * | * | - | - | 1 | 摆针调节杆螺钉 |

上盖绕线器组件



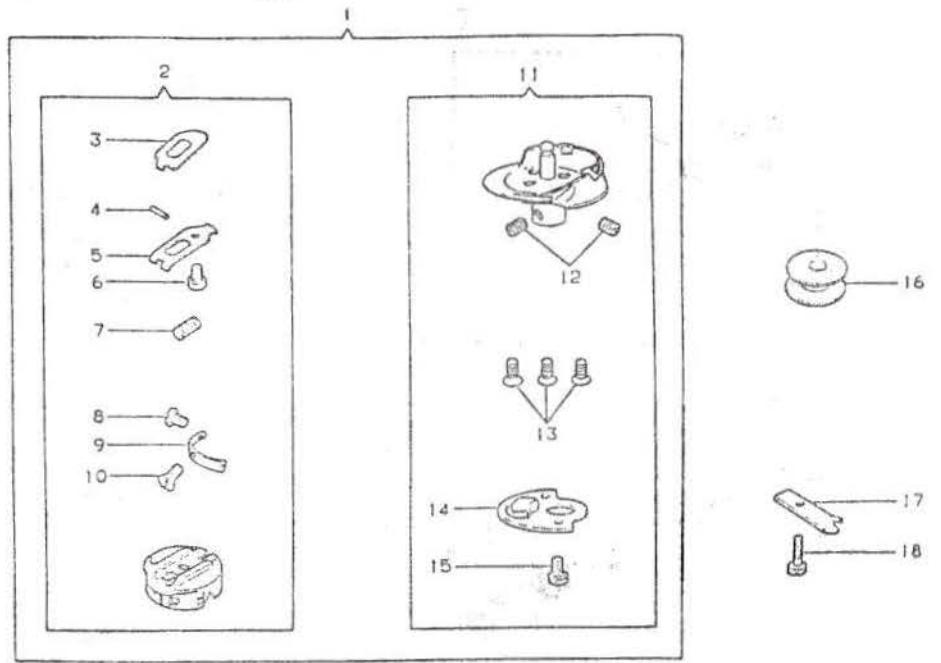
| 序号 | 件号 | A105-L | A105-M | A125-L | A125-M | A135-L | A135-M | A140-M | A143-L | A143-M | 数量 | 名称 |
|----|------------|--------|--------|--------|--------|--------|--------|--------|--------|--------|----|-----------|
| 1 | 282171 | * | * | * | * | * | * | * | * | * | 1 | 上盖绕线器组件 |
| 2 | 282289 | * | * | * | * | * | * | * | * | * | 1 | 上盖组件 |
| 3 | 368029 | * | * | * | * | * | * | * | * | * | 1 | 上盖夹线器 |
| 4 | 368033 | * | * | * | * | * | * | * | * | * | 1 | 上盖夹线器螺母 |
| 5 | 547246 | * | * | * | * | * | * | * | * | * | 1 | 上夹线簧 |
| 6 | 547247 | * | * | * | * | * | * | * | * | * | 2 | 上夹线板 |
| 7 | 544204-001 | * | * | * | * | * | * | * | * | * | 1 | 上盖夹线器紧固螺钉 |
| 8 | 550020 | * | * | * | * | * | * | * | * | * | 1 | 三眼线钩 |
| 9 | 544203-007 | * | * | * | * | * | * | * | * | * | 1 | 三眼线钩紧固螺钉 |
| 10 | 544886-451 | * | * | * | * | * | * | * | * | * | 1 | 上盖后油塞 |
| 11 | 544875 | * | * | * | * | * | * | * | * | * | 1 | 上盖前油塞 |
| 12 | 544782 | * | * | * | * | * | * | * | * | * | 1 | 上盖中油塞 |
| 13 | 282173-451 | * | * | * | * | * | * | * | * | * | 1 | 绕线器 |
| 14 | 550029 | * | * | * | * | * | * | * | * | * | 1 | 挡片座组件 |
| 15 | 550031 | * | * | * | * | * | * | * | * | * | 1 | 芯轴胶轮挡片 |
| 16 | 374398-002 | * | * | * | * | * | * | * | * | * | 1 | 挡片螺钉 |
| 17 | 544207-013 | * | * | * | * | * | * | * | * | * | 2 | 挡片座螺钉 |
| 18 | 368028 | * | * | * | * | * | * | * | * | * | 1 | 芯轴定位座 |
| 19 | 550022-451 | * | * | * | * | * | * | * | * | * | 1 | 绕线器主体 |
| 20 | 282175 | * | * | * | * | * | * | * | * | * | 1 | 芯轴挡圈 |
| 21 | 544206-011 | * | * | * | * | * | * | * | * | * | 2 | 芯轴挡圈螺钉 |
| 22 | 546844 | * | * | * | * | * | * | * | * | * | 2 | 绕线定位块垫圈 |
| 23 | 550028 | * | * | * | * | * | * | * | * | * | 1 | 绕线曲柄 |
| 24 | 411097 | * | * | * | * | * | * | * | * | * | 1 | 芯轴弹簧 |
| 25 | 282174 | * | * | * | * | * | * | * | * | * | 1 | 棱芯芯轴胶轮组件 |
| 26 | 543871-020 | * | * | * | * | * | * | * | * | * | 1 | 橡胶圈 |
| 27 | 550032 | * | * | * | * | * | * | * | * | * | 1 | 线量调节压板 |
| 28 | 544208-005 | * | * | * | * | * | * | * | * | * | 1 | 线量调节压板螺钉 |
| 29 | 368025 | * | * | * | * | * | * | * | * | * | 1 | 绕线调节轴 |
| 30 | 543860-005 | * | * | * | * | * | * | * | * | * | 1 | 线量调节压板垫圈 |
| 31 | 368026 | * | * | * | * | * | * | * | * | * | 1 | 绕线定位块 |
| 32 | 544208-005 | * | * | * | * | * | * | * | * | * | 1 | 绕线定位块螺钉 |
| 33 | 368020 | * | * | * | * | * | * | * | * | * | 1 | 绕线摆柄 |
| 34 | 544865 | * | * | * | * | * | * | * | * | * | 1 | 绕线摆柄拉簧 |
| 35 | 546847 | * | * | * | * | * | * | * | * | * | 1 | 绕线摆柄压簧 |
| 36 | 544217-001 | * | * | * | * | * | * | * | * | * | 3 | 绕线器螺钉 |
| 37 | 282177 | * | * | * | * | * | * | * | * | * | 1 | 上盖垫 |
| 38 | 282272 | * | * | * | * | * | * | * | * | * | 1 | 绕线器密封垫 |
| 39 | 544213-057 | * | * | * | * | * | * | * | * | * | 8 | 上盖螺钉 |
| 40 | 508562 | * | * | * | * | * | * | * | * | * | 1 | 过线柱 |

上夹线器、夹线器



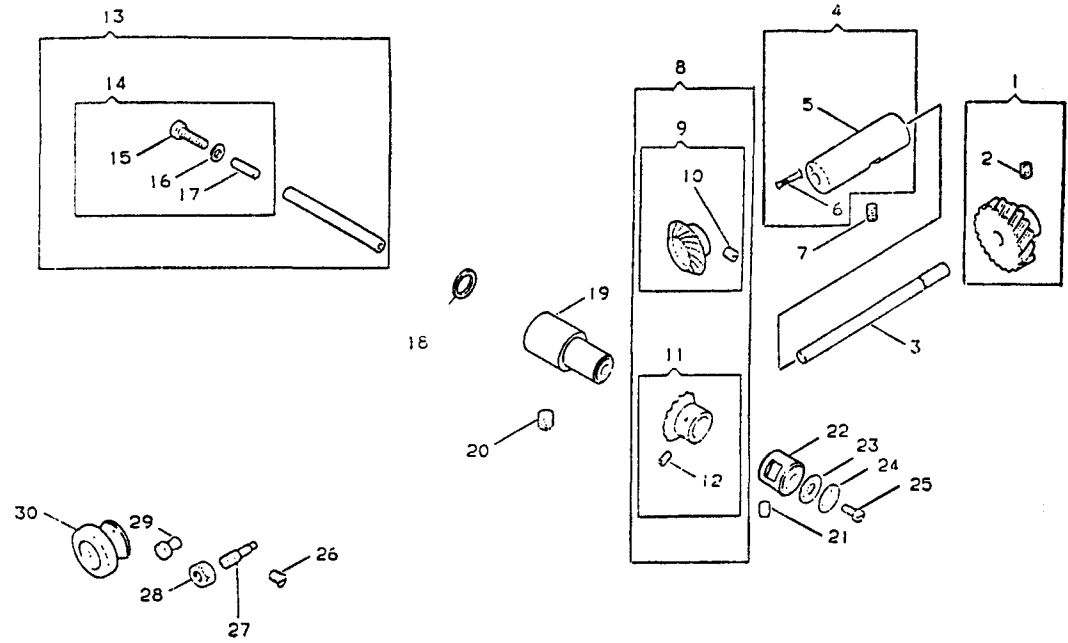
| 序号 | 件号 | A105-L | A105-M | A125-L | A125-M | A135-L | A135-M | A140-M | A143-L | A143-M | 数量 | 名称 |
|----|------------|--------|--------|--------|--------|--------|--------|--------|--------|--------|----|----------|
| 1 | 376077 | * | * | * | * | * | * | * | * | * | 1 | 上夹线器 |
| 2 | 376078 | * | * | * | * | * | * | * | * | * | 1 | 上过线柱 |
| 3 | 547247 | * | * | * | * | * | * | * | * | * | 2 | 上夹线盘 |
| 4 | 368824 | * | * | * | * | * | * | * | * | * | 1 | 上夹线簧 |
| 5 | 376080 | * | * | * | * | * | * | * | * | * | 1 | 上夹线螺母弹簧 |
| 6 | 376081 | * | * | * | * | * | * | * | * | * | 1 | 上夹线螺母 |
| 7 | 551941 | * | * | * | * | * | * | * | * | * | 1 | 夹线器 |
| 8 | 543881-012 | * | * | * | * | * | * | * | * | * | 1 | 夹线器座O形圈 |
| 9 | 551945 | * | * | * | * | * | * | * | * | * | 1 | 挑线簧调节器座 |
| 10 | 50305-850 | * | * | * | * | * | * | * | * | * | 1 | 夹线螺钉紧固螺钉 |
| 11 | 551944 | * | * | * | * | * | * | * | * | * | 1 | 挑线簧 |
| 12 | 551942 | * | * | * | * | * | * | * | * | * | 1 | 夹线螺钉 |
| 13 | 411152 | * | * | * | * | * | * | * | * | * | 4 | 毛毡垫圈 |
| 14 | 411153 | * | * | * | * | * | * | * | * | * | 1 | 过线盘 |
| 15 | 509076 | * | * | * | * | * | * | * | * | * | 1 | 松线板 |
| 16 | 272219 | * | * | * | * | * | * | * | * | * | 1 | 夹线簧 |
| 17 | 411154 | * | * | * | * | * | * | * | * | * | 1 | 夹线螺母制动垫圈 |
| 18 | 541182 | * | * | * | * | * | * | * | * | * | 1 | 夹线螺母 |
| 19 | 50429-833 | * | * | * | * | * | * | * | * | * | 1 | 上过线器紧固螺钉 |
| 20 | 502665 | * | * | * | * | * | * | * | * | * | 1 | 下过线钩 |
| 21 | 549055 | * | * | * | * | * | * | * | * | * | 1 | 下过线钩紧固螺钉 |
| 22 | 502665 | * | * | * | * | * | * | * | * | * | 1 | 过线板 |
| 23 | 500246-850 | * | * | * | * | * | * | * | * | * | 2 | 过线板螺钉 |
| 24 | 544303 | * | * | * | * | * | * | * | * | * | 1 | 夹线器固定螺钉 |
| 25 | 551945 | * | * | * | * | * | * | * | * | * | 1 | 松线钉 |

旋梭、梭心套



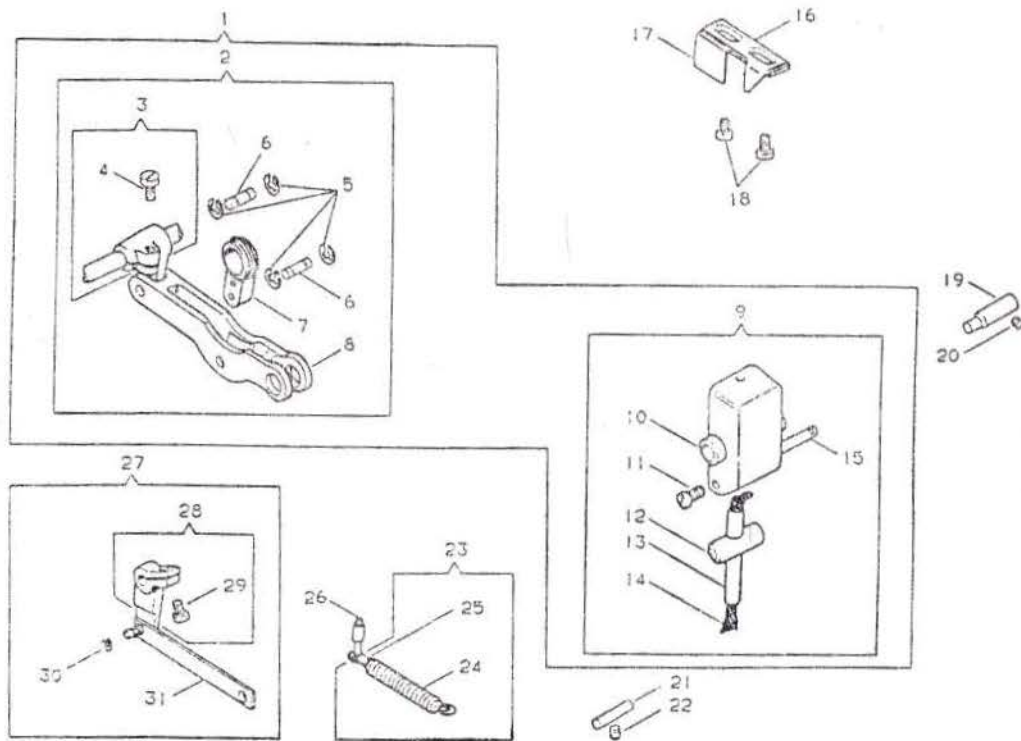
| 序号 | 件号 | | | | | | | | | 数量 | 名称 | | |
|----|------------|--------|--------|--------|--------|--------|--------|--------|--------|----|----|--------|------------|
| | | Δ105-L | Δ105-M | Δ125-L | Δ125-M | Δ135-L | Δ135-M | Δ140-M | Δ143-L | | | Δ143-M | |
| 1 | 282298 | * | * | * | * | * | * | * | * | * | | 1 | 旋梭梭心套组件 |
| 2 | 502530 | * | * | * | * | * | * | * | * | * | | 1 | 梭心套组件 |
| 3 | 502717 | * | * | * | * | * | * | * | * | * | | 1 | 梭心盖 |
| 4 | 210735 | * | * | * | * | * | * | * | * | * | | 1 | 梭盖销 |
| 5 | 210913 | * | * | * | * | * | * | * | * | * | | 1 | 梭门底 |
| 6 | 200964 | * | * | * | * | * | * | * | * | * | | 1 | 梭门底止推螺销 |
| 7 | 210736 | * | * | * | * | * | * | * | * | * | | 1 | 梭门底弹簧 |
| 8 | 200592 | * | * | * | * | * | * | * | * | * | | 1 | 梭心套夹线簧螺钉 |
| 9 | 508530 | * | * | * | * | * | * | * | * | * | | 1 | 梭心套夹线簧 |
| 10 | 201016 | * | * | * | * | * | * | * | * | * | | 1 | 梭心套夹线簧可调螺钉 |
| 11 | 282293 | * | * | * | * | * | * | * | * | * | | 1 | 旋梭 |
| 12 | 500306 | * | * | * | * | * | * | * | * | * | | 2 | 旋梭固定螺钉 |
| 13 | 141525 | * | * | * | * | * | * | * | * | * | | 3 | 旋梭体夹紧螺钉 |
| 14 | 508537 | * | * | * | * | * | * | * | * | * | | 1 | 旋梭防护器平衡锤 |
| 15 | 141507 | * | * | * | * | * | * | * | * | * | | 1 | 旋梭防护器平衡锤螺钉 |
| 16 | 233028-452 | * | * | * | * | * | * | * | * | * | | 1 | 梭心 |
| 17 | 502536 | * | * | * | * | * | * | * | * | * | | 1 | 旋梭定位板 |
| 18 | 190-850 | * | * | * | * | * | * | * | * | * | | 1 | 旋梭定位板螺钉 |

旋梭传动件



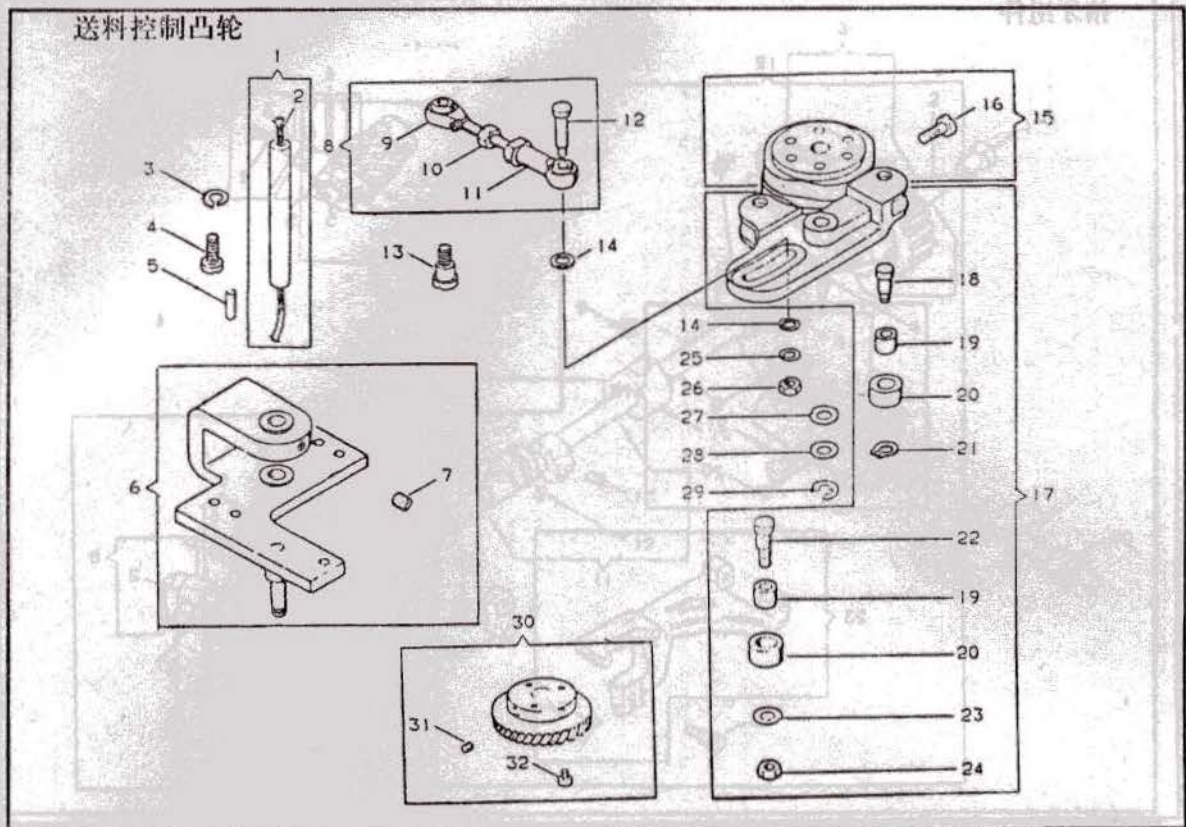
| 序号 | 件号 | | | | | | | | | 数量 | 名称 | |
|----|------------|--------|--------|--------|--------|--------|--------|--------|--------|----|----|------------|
| | | A105-L | A105-M | A125-L | A125-M | A135-L | A135-M | A140-M | A143-L | | | A143-M |
| 1 | 411003 | * | * | * | * | * | * | * | * | * | 1 | 旋梭驱动轴齿轮 |
| 2 | 504101 | * | * | * | * | * | * | * | * | * | 2 | 旋梭驱动轴齿轮螺钉 |
| 3 | 282215 | * | * | * | * | * | * | * | * | * | 1 | 旋梭驱动轴 |
| 4 | 282210 | * | * | * | * | * | * | * | * | * | 1 | 旋梭驱动轴套组件 |
| 5 | 282211 | * | * | * | * | * | * | * | * | * | 1 | 旋梭驱动轴套 |
| 6 | 282212 | * | * | * | * | * | * | * | * | * | 1 | 旋梭驱动轴套油线 |
| 7 | 544305 | * | * | * | * | * | * | * | * | * | 1 | 旋梭驱动轴套螺钉 |
| 8 | 411038 | * | * | * | * | * | * | * | * | * | 1 | 一对伞齿轮 |
| 9 | 411039 | * | * | * | * | * | * | * | * | * | 1 | 旋梭驱动轴伞齿轮 |
| 10 | 504101 | * | * | * | * | * | * | * | * | * | 2 | 旋梭驱动轴伞齿轮螺钉 |
| 11 | 411040 | * | * | * | * | * | * | * | * | * | 1 | 旋梭伞齿轮 |
| 12 | 504101 | * | * | * | * | * | * | * | * | * | 2 | 旋梭伞齿轮螺钉 |
| 13 | 282213 | * | * | * | * | * | * | * | * | * | 1 | 旋梭轴 |
| 14 | 376162 | * | * | * | * | * | * | * | * | * | 1 | 旋梭限油螺钉组件 |
| 15 | 544320 | * | * | * | * | * | * | * | * | * | 1 | 旋梭限油螺钉 |
| 16 | 271308 | * | * | * | * | * | * | * | * | * | 1 | 旋梭限油螺钉O形圈 |
| 17 | 376154 | * | * | * | * | * | * | * | * | * | 1 | 限油螺钉油芯 |
| 18 | 368167 | * | * | * | * | * | * | * | * | * | 1 | 旋梭轴油封 |
| 19 | 282209 | * | * | * | * | * | * | * | * | * | 1 | 旋梭轴前轴套 |
| 20 | 544305 | * | * | * | * | * | * | * | * | * | 1 | 旋梭轴前轴套螺钉 |
| 21 | 500264-833 | * | * | * | * | * | * | * | * | * | 1 | 旋梭轴后轴套螺钉 |
| 22 | 508914 | * | * | * | * | * | * | * | * | * | 1 | 旋梭轴后轴套 |
| 23 | 502572 | * | * | * | * | * | * | * | * | * | 1 | 旋梭轴闷盖垫 |
| 24 | 502611 | * | * | * | * | * | * | * | * | * | 1 | 旋梭轴闷盖 |
| 25 | 229 | * | * | * | * | * | * | * | * | * | 3 | 旋梭轴闷盖螺钉 |
| 26 | 504134 | * | * | * | * | * | * | * | * | * | 1 | 挡油螺钉 |
| 27 | 500247-833 | * | * | * | * | * | * | * | * | * | 1 | 旋梭油量调节螺钉 |
| 28 | 545425-452 | * | * | * | * | * | * | * | * | * | 1 | 旋梭油量调节螺母 |
| 29 | 502577 | * | * | * | * | * | * | * | * | * | 1 | 旋梭供油管油塞 |
| 30 | 502818 | * | * | * | * | * | * | * | * | * | 1 | 旋梭驱动轴油塞 |

送料传动件



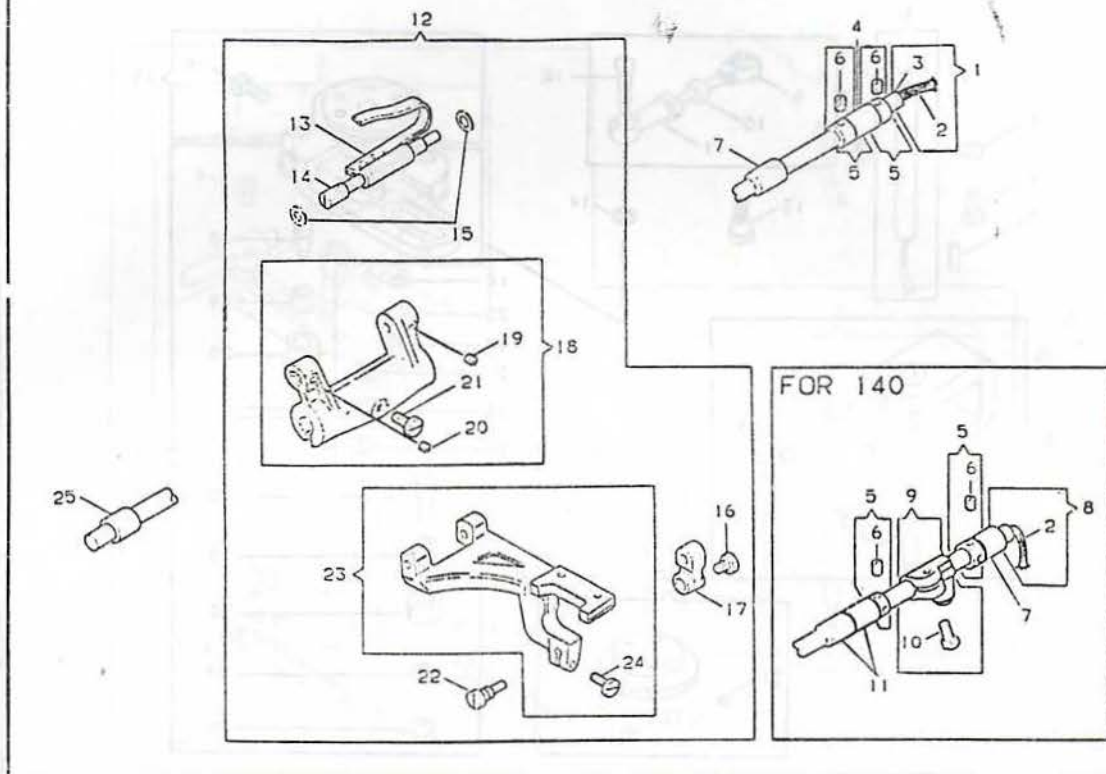
| 序号 | 件号 | | | | | | | | | 数量 | 名称 | |
|----|------------|--------|--------|--------|--------|--------|--------|--------|--------|----|----|-------------|
| | | A105-L | A105-M | A125-L | A125-M | A135-L | A135-M | A140-M | A143-L | | | A143-M |
| 1 | 411058 | * | * | * | * | * | * | * | * | * | 1 | 送料传动组件 |
| 2 | 411061 | * | * | * | * | * | * | * | * | * | 1 | 送料传动连杆组件 |
| 3 | 502847 | * | * | * | * | * | * | * | * | * | 1 | 传动连杆曲柄 |
| 4 | 1177-850 | * | * | * | * | * | * | * | * | * | 1 | 传动连杆曲柄螺钉 |
| 5 | 543801-005 | * | * | * | * | * | * | * | * | * | 4 | 连杆曲柄销挡圈 |
| 6 | 502845 | * | * | * | * | * | * | * | * | * | 2 | 传动连杆曲柄销 |
| 7 | 502844 | * | * | * | * | * | * | * | * | * | 1 | 送料偏心轮套圈 |
| 8 | 502843 | * | * | * | * | * | * | * | * | * | 1 | 送料传动连杆 |
| 9 | 411059 | * | * | * | * | * | * | * | * | * | 1 | 送料传动连杆架组件 |
| 10 | 411060 | * | * | * | * | * | * | * | * | * | 1 | 送料传动连杆架 |
| 11 | 545249-452 | * | * | * | * | * | * | * | * | * | 1 | 摆针连杆滑块轴固定螺钉 |
| 12 | 502850-931 | * | * | * | * | * | * | * | * | * | 1 | 摆针连杆连接架滑块 |
| 13 | 502857 | * | * | * | * | * | * | * | * | * | 1 | 摆针连杆滑块轴 |
| 14 | 502858 | * | * | * | * | * | * | * | * | * | 1 | 连接轴油绳 |
| 15 | 502949 | * | * | * | * | * | * | * | * | * | 1 | 送料传动连接架销 |
| 16 | 508523 | * | * | * | * | * | * | * | * | * | 1 | 针距调节后架 |
| 17 | 508524 | * | * | * | * | * | * | * | * | * | 1 | 针距调节前架 |
| 18 | 544449 | * | * | * | * | * | * | * | * | * | 2 | 针距调节架螺钉 |
| 19 | 502860 | * | * | * | * | * | * | * | * | * | 1 | 连接架摆动后销 |
| 20 | 544307 | * | * | * | * | * | * | * | * | * | 1 | 摆动后销固定螺钉 |
| 21 | 502859 | * | * | * | * | * | * | * | * | * | 1 | 连接架摆动前销 |
| 22 | 504066-452 | * | * | * | * | * | * | * | * | * | 1 | 摆动前销固定螺钉 |
| 23 | 502932 | * | * | * | * | * | * | * | * | * | 1 | 倒送料位簧组件 |
| 24 | 502866 | * | * | * | * | * | * | * | * | * | 1 | 倒送料拉簧 |
| 25 | 502931 | * | * | * | * | * | * | * | * | * | 1 | 倒送料拉簧钩 |
| 26 | 502867 | * | * | * | * | * | * | * | * | * | 1 | 倒送料拉簧销 |
| 27 | 411062 | * | * | * | * | * | * | * | * | * | 1 | 针距调节连杆组件 |
| 28 | 411063 | * | * | * | * | * | * | * | * | * | 1 | 送料调节轴曲柄组件 |
| 29 | 544286 | * | * | * | * | * | * | * | * | * | 1 | 送料调节轴曲柄螺钉 |
| 30 | 543801-005 | * | * | * | * | * | * | * | * | * | 1 | 送料调节轴连杆挡圈 |
| 31 | 502862 | * | * | * | * | * | * | * | * | * | 1 | 针距调节器连杆 |

送料控制凸轮



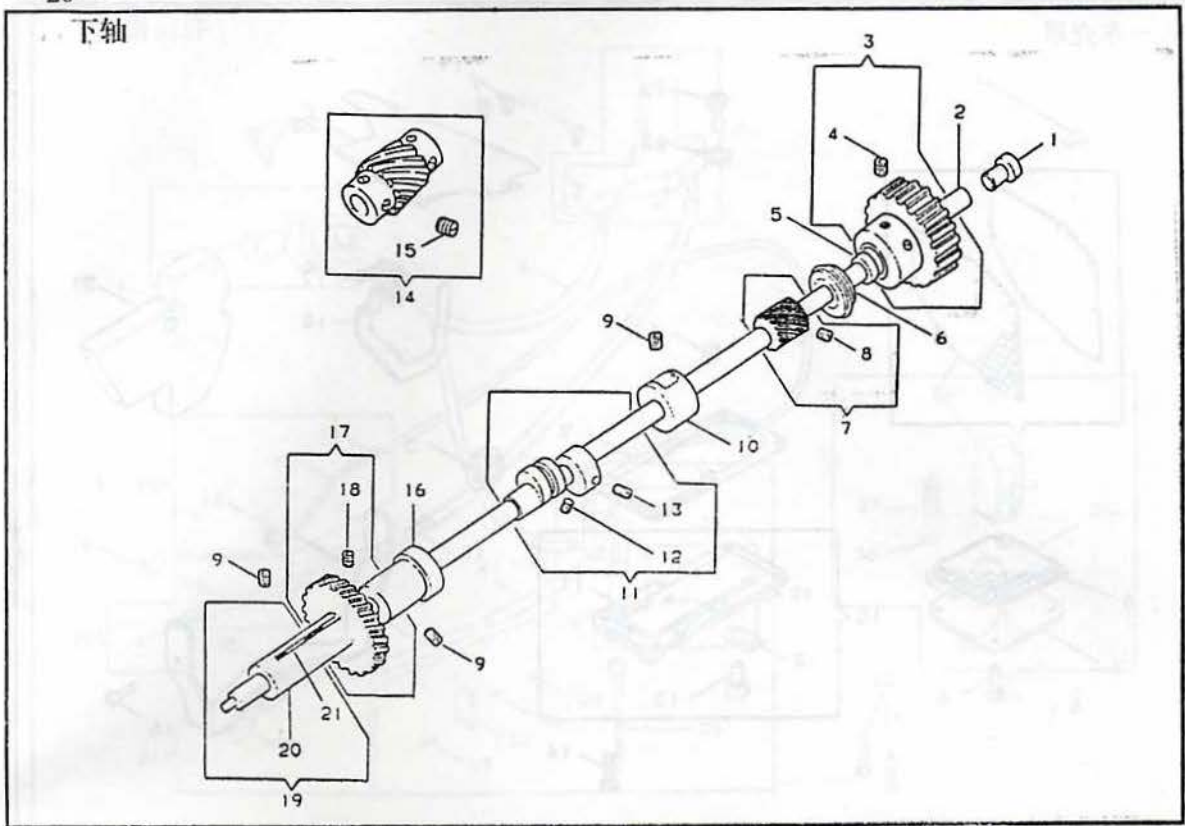
| 序号 | 件号 | 规格 | | | | | | | | 数量 | 名称 | |
|----|------------|--------|--------|--------|--------|--------|--------|--------|--------|----|----|--------------|
| | | △105-L | △105-M | △125-L | △125-M | △135-L | △135-M | △140-M | △143-L | | | △143-M |
| 1 | 508738 | | | | | | | * | | | 1 | 送料控制凸轮轴 |
| 2 | 411240 | | | | | | | * | | | 1 | 送料控制凸轮轴油绳 |
| 3 | 543805-004 | | | | | | | * | | | 3 | 凸轮轴架螺钉锁紧垫圈 |
| 4 | 544285 | | | | | | | * | | | 3 | 凸轮轴安装架螺钉 |
| 5 | 548035 | | | | | | | * | | | 2 | 凸轮轴安装架机壳销 |
| 6 | 508787 | | | | | | | * | | | 1 | 送料控制凸轮轴安装架 |
| 7 | 500014-850 | | | | | | | * | | | 1 | 凸轮轴固定螺钉 |
| 8 | 508795 | | | | | | | * | | | 1 | 送料控制接头组件 |
| 9 | 508797 | | | | | | | * | | | 1 | 送料控制连接球节 |
| 10 | 500753-809 | | | | | | | * | | | 1 | 送料控制接头锁紧螺母 |
| 11 | 508796 | | | | | | | * | | | 1 | 送料控制连接球节 |
| 12 | 544370 | | | | | | | * | | | 1 | 送料控制连接调节螺钉 |
| 13 | 544369 | | | | | | | * | | | 1 | 送料控制连接钉 |
| 14 | 543874-005 | | | | | | | * | | | 2 | 送料控制连接调节螺钉垫圈 |
| 15 | 411195 | | | | | | | * | | | 1 | 送料控制凸轮 |
| 16 | 545136-452 | | | | | | | * | | | 2 | 凸轮固定螺钉 |
| 17 | 411197 | | | | | | | * | | | 1 | 凸轮从动器 |
| 18 | 508793 | | | | | | | * | | | 1 | 凸轮从动器铰链销 |
| 19 | 502964 | | | | | | | * | | | 2 | 凸轮从动器滚针轴承 |
| 20 | 502960 | | | | | | | * | | | 2 | 凸轮从动器滚柱 |
| 21 | 502802 | | | | | | | * | | | 1 | 凸轮从动器铰链销垫圈 |
| 22 | 544371 | | | | | | | * | | | 1 | 铰链螺钉 |
| 23 | 502961 | | | | | | | * | | | 1 | 弹簧垫圈 |
| 24 | 1664-850 | | | | | | | * | | | 1 | 垫圈螺母 |
| 25 | 507523 | | | | | | | * | | | 1 | 调节螺钉弹簧垫圈 |
| 26 | 541180 | | | | | | | * | | | 1 | 调节螺钉螺母 |
| 27 | 502963 | | | | | | | * | | | 1 | 车壳垫圈 |
| 28 | 502990 | | | | | | | * | | | 1 | 车壳弹簧垫圈 |
| 29 | 502744 | | | | | | | * | | | 1 | 车壳止动垫圈 |
| 30 | 411174 | | | | | | | * | | | 1 | 送料控制凸轮轴齿轮 |
| 31 | 544507 | | | | | | | * | | | 1 | 凸轮轴齿轮固定螺钉 |
| 32 | 545249-452 | | | | | | | * | | | 3 | 齿轮圆盘螺钉 |

抬牙组件



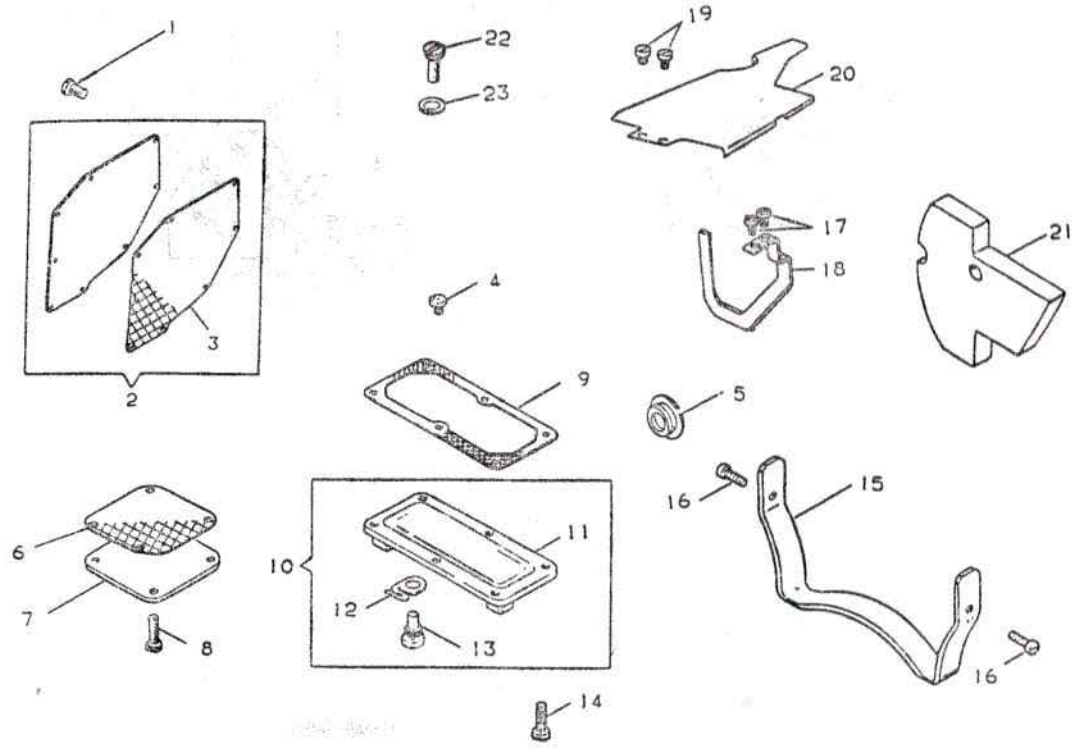
| 序号 | 件号 | | | | | | | | | 数量 | 名称 | |
|----|------------|--------|--------|--------|--------|--------|--------|--------|--------|----|----|----------|
| | | A105-L | A105-M | A125-L | A125-M | A135-L | A135-M | A140-M | A143-L | | | A143-M |
| 1 | 502879 | * | * | * | * | * | * | * | * | * | 1 | 送料轴组件 |
| 2 | 502560-002 | * | * | * | * | * | * | * | * | * | 1 | 送料轴油绳 |
| 3 | 502880 | * | * | * | * | * | * | * | * | * | 1 | 送料轴 |
| 4 | 502558 | * | * | * | * | * | * | * | * | * | 1 | 送料轴后轴套 |
| 5 | 411118 | * | * | * | * | * | * | * | * | * | 2 | 送料轴挡圈 |
| 6 | 544053 | * | * | * | * | * | * | * | * | * | 4 | 送料轴挡圈螺钉 |
| 7 | 502892 | * | * | * | * | * | * | * | * | * | 1 | 送料轴前轴套 |
| 8 | 508799 | — | — | — | — | — | — | * | — | — | 1 | 送料轴组件 |
| 9 | 411193 | — | — | — | — | — | — | * | — | — | 1 | 送料控制连接曲柄 |
| 10 | 1177-850 | — | — | — | — | — | — | * | — | — | 1 | 连接曲柄锁紧螺钉 |
| 11 | 502826 | — | — | — | — | — | — | * | — | — | 2 | 送料轴轴套 |
| 12 | 502675-002 | * | * | * | * | * | * | * | * | * | 1 | 送料抬牙组件 |
| 13 | 502542 | * | * | * | * | * | * | * | * | * | 1 | 牙架销油毡 |
| 14 | 502541 | * | * | * | * | * | * | * | * | * | 1 | 牙架锁 |
| 15 | 502544 | * | * | * | * | * | * | * | * | * | 2 | 牙架销垫圈 |
| 16 | 51388-850 | * | * | * | * | * | * | * | * | * | 1 | 抬牙小连杆螺钉 |
| 17 | 502545 | * | * | * | * | * | * | * | * | * | 1 | 抬牙小连杆 |
| 18 | 411028 | * | * | * | * | * | * | * | * | * | 1 | 牙架座组件 |
| 19 | 504134 | * | * | * | * | * | * | * | * | * | 1 | 牙架销长紧固螺钉 |
| 20 | 504048 | * | * | * | * | * | * | * | * | * | 1 | 牙架销短紧固螺钉 |
| 21 | 500257-850 | * | * | * | * | * | * | * | * | * | 1 | 牙架座螺钉 |
| 22 | 502546 | * | * | * | * | * | * | * | * | * | 1 | 抬牙销 |
| 23 | 411030 | * | * | * | * | * | * | * | * | * | 1 | 牙架 |
| 24 | 544291 | * | * | * | * | * | * | * | * | * | 1 | 抬牙销锁紧螺钉 |
| 25 | 502826 | * | * | * | * | * | * | * | * | * | 1 | 送料轴前轴套 |

下轴



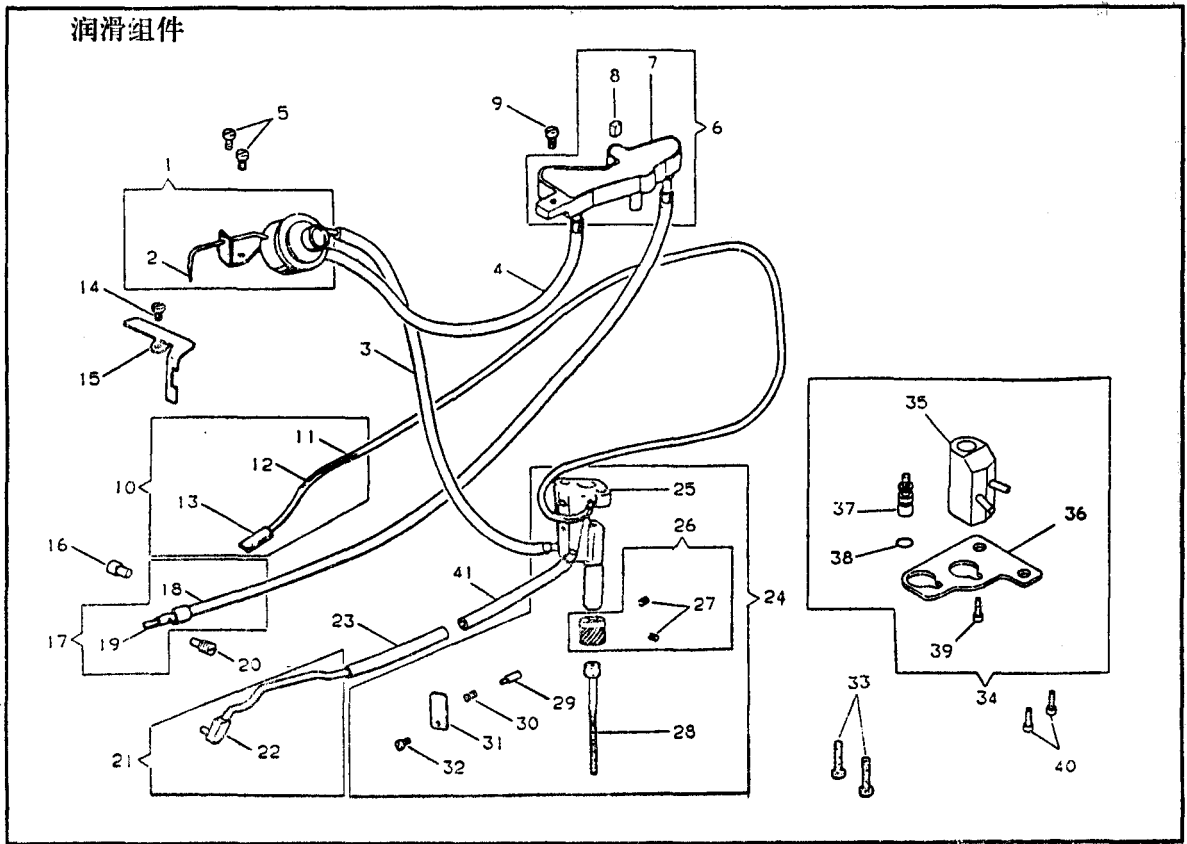
| 序号 | 件号 | | | | | | | | | 数量 | 名称 | |
|----|------------|--------|--------|--------|--------|--------|--------|--------|--------|----|----|------------|
| | | A105-L | A105-M | A125-L | A125-M | A135-L | A135-M | A140-M | A143-L | | | A143-M |
| 1 | 502752 | * | * | * | * | * | * | * | * | * | 1 | 下轴油塞 |
| 2 | 502837 | * | * | * | * | * | * | * | * | * | 1 | 下轴 |
| | 508784-900 | * | * | * | * | * | * | * | * | * | 1 | 下轴 |
| 3 | 502704 | * | * | * | * | * | * | * | * | * | 1 | 下轴带轮 |
| 4 | 140930-869 | * | * | * | * | * | * | * | * | * | 2 | 下轴带轮螺钉 |
| 5 | 502518-002 | * | * | * | * | * | * | * | * | * | 1 | 下轴带轮挡圈 |
| 6 | 272144 | * | * | * | * | * | * | * | * | * | 1 | 下轴轴承 |
| 7 | 411037 | * | * | * | * | * | * | * | * | * | 1 | 下轴油泵齿轮 |
| 8 | 504102 | * | * | * | * | * | * | * | * | * | 2 | 下轴油泵齿轮螺钉 |
| 9 | 544305 | * | * | * | * | * | * | * | * | * | 3 | 下轴后轴套螺钉 |
| 10 | 502838 | * | * | * | * | * | * | * | * | * | 1 | 下轴后轴套 |
| 11 | 502839 | * | * | * | * | * | * | * | * | * | 1 | 送料偏心凸轮 |
| 12 | 449-833 | * | * | * | * | * | * | * | * | * | 1 | 送料偏心凸轮紧固螺钉 |
| 13 | 500308-833 | * | * | * | * | * | * | * | * | * | 1 | 送料偏心凸轮定位螺钉 |
| 14 | 411192 | - | - | - | - | - | - | * | - | - | 1 | 下轴传动齿轮 |
| 15 | 504101 | - | - | - | - | - | - | * | - | - | 4 | 下轴传动齿轮螺钉 |
| 16 | 502888 | * | * | * | * | * | * | * | * | * | 1 | 下轴中轴套 |
| 17 | 411002 | * | * | * | * | * | * | * | * | * | 1 | 下轴齿轮 |
| 18 | 504101 | * | * | * | * | * | * | * | * | * | 2 | 下轴齿轮螺钉 |
| 19 | 502703 | * | * | * | * | * | * | * | * | * | 1 | 下轴前轴套组件 |
| 20 | 502515 | * | * | * | * | * | * | * | * | * | 1 | 下轴前轴套 |
| 21 | 502516 | * | * | * | * | * | * | * | * | * | 1 | 下轴前轴套油线 |

车壳罩



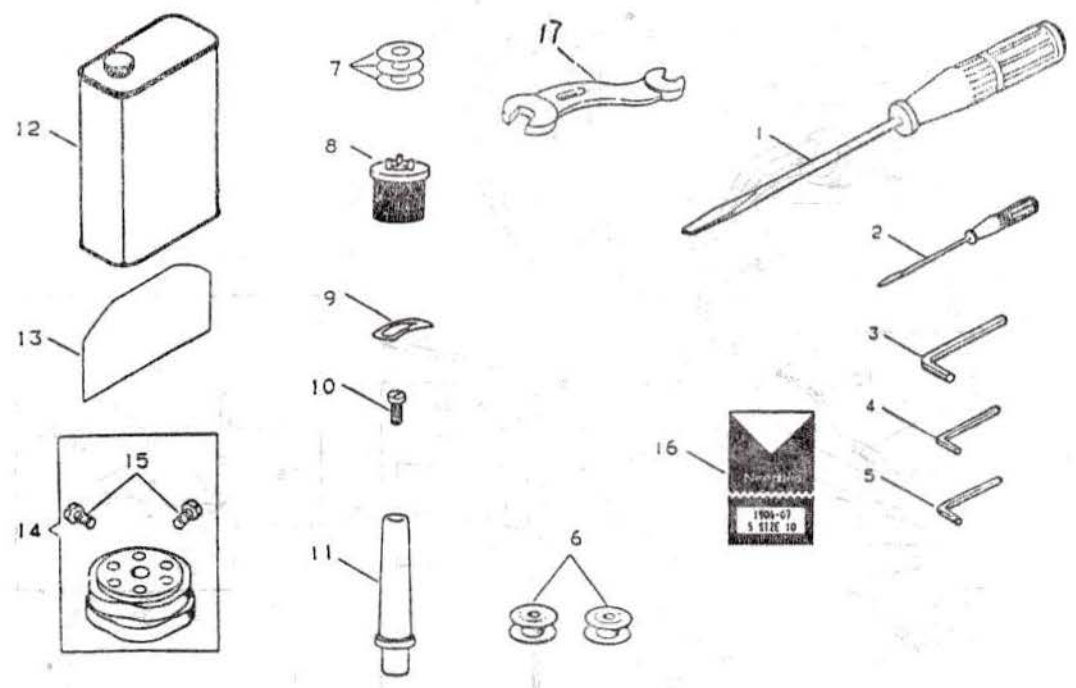
| 序号 | 件号 | | | | | | | | | 数量 | 名称 | |
|----|------------|--------|--------|--------|--------|--------|--------|--------|--------|----|----|------------|
| | | A105-L | A105-M | A125-L | A125-M | A135-L | A135-M | A140-M | A143-L | | | A143-M |
| 1 | 544213-052 | * | * | * | * | * | * | * | * | * | 8 | 后窗板螺钉 |
| 2 | 282290-451 | * | * | * | * | * | * | * | * | * | 1 | 后窗板组件 |
| 3 | 282217 | * | * | * | * | * | * | * | * | * | 1 | 后窗板垫 |
| 4 | 502925 | * | * | * | * | * | * | * | * | * | 1 | 限位螺钉 |
| 5 | 502832 | * | * | * | * | * | * | * | * | * | 1 | 倒针扳手油塞 |
| 6 | 282218 | * | * | * | * | * | * | * | * | * | 1 | 旋梭齿轮箱盖垫 |
| 7 | 502573 | * | * | * | * | * | * | * | * | * | 1 | 旋梭齿轮箱盖 |
| 8 | 544287 | * | * | * | * | * | * | * | * | * | 4 | 旋梭齿轮箱盖螺钉 |
| 9 | 502521 | * | * | * | * | * | * | * | * | * | 1 | 旋梭驱动齿轮箱盖垫 |
| 10 | 502881-951 | * | * | * | * | * | * | * | * | * | 1 | 旋梭驱动齿轮箱盖组件 |
| 11 | 502881 | * | * | * | * | * | * | * | * | * | 1 | 旋梭驱动齿轮箱盖 |
| 12 | 502543 | * | * | * | * | * | * | * | * | * | 1 | 牙架油毡夹 |
| 13 | 500245-850 | * | * | * | * | * | * | * | * | * | 1 | 驱动齿轮箱排油螺钉 |
| 14 | 544287 | * | * | * | * | * | * | * | * | * | 6 | 驱动齿轮箱盖螺钉 |
| 15 | 502593 | * | * | * | * | * | * | * | * | * | 1 | 机头支脚 |
| 16 | 500250-850 | * | * | * | * | * | * | * | * | * | 2 | 机脚螺钉 |
| 17 | 500104-850 | * | * | * | * | * | * | * | * | * | 2 | 遮油板架螺钉 |
| 18 | 502834 | * | * | * | * | * | * | * | * | * | 1 | 遮油板架 |
| | 411309 | - | - | - | - | - | - | * | * | * | 1 | 遮油板架 |
| 19 | 544213-051 | * | * | * | * | * | * | * | * | * | 2 | 挡油罩螺钉 |
| 20 | 282227 | * | * | * | * | * | * | * | * | * | 1 | 挡油罩 |
| | 282228 | - | - | - | - | - | - | * | * | * | 1 | 挡油罩 |
| 21 | 502890 | * | * | * | * | * | * | * | * | * | 1 | 遮油板 |
| | 411311 | - | - | - | - | - | - | * | * | * | 1 | 遮油板 |
| 22 | 544212-003 | * | * | * | * | * | * | * | * | * | 1 | 接地螺钉 |
| 23 | 543803-003 | * | * | * | * | * | * | * | * | * | 1 | 接地螺钉垫圈 |

润滑组件



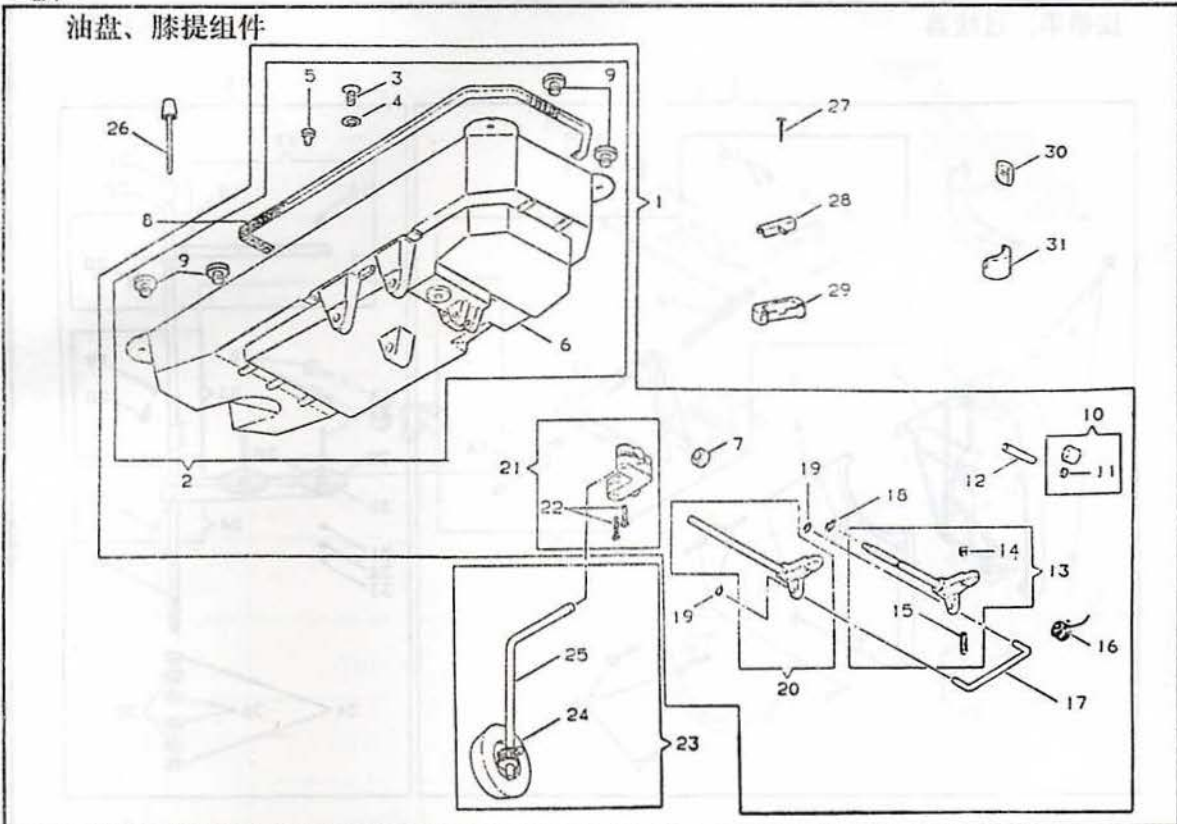
| 序号 | 件号 | AI05-L | AI05-M | AI23-L | AI23-M | AI35-L | AI35-M | AI47-M | AI43-L | AI43-M | 数量 | 名称 |
|----|------------|--------|--------|--------|--------|--------|--------|--------|--------|--------|----|-------------|
| 1 | 502650-002 | * | * | * | * | * | * | * | * | * | 1 | 润滑组件 |
| 2 | 502651 | * | * | * | * | * | * | * | * | * | 1 | 油窗油线 |
| 3 | 502635-002 | * | * | * | * | * | * | * | * | * | 1 | 油窗输油管 |
| 4 | 502647-002 | * | * | * | * | * | * | * | * | * | 1 | 油窗回油管 |
| 5 | 291-850 | * | * | * | * | * | * | * | * | * | 2 | 油窗体螺钉 |
| 6 | 508943 | * | * | * | * | * | * | * | * | * | 1 | 配油器组件 |
| 7 | 508214 | * | * | * | * | * | * | * | * | * | 1 | 配油器 |
| 8 | 508878 | * | * | * | * | * | * | * | * | * | 1 | 摆针齿轮滴油海绵 |
| 9 | 500115-850 | * | * | * | * | * | * | * | * | * | 1 | 配油器螺钉 |
| 10 | 411212 | * | * | * | * | * | * | * | * | * | 1 | 排油管滤网组件 |
| 11 | 411213 | * | * | * | * | * | * | * | * | * | 1 | 排油管 |
| 12 | 411217 | * | * | * | * | * | * | * | * | * | 1 | 排油管金属丝 |
| 13 | 16330 | * | * | * | * | * | * | * | * | * | 1 | 排油管滤网 |
| 14 | 504145-452 | * | * | * | * | * | * | * | * | * | 1 | 排油管夹螺钉 |
| 15 | 502505 | * | * | * | * | * | * | * | * | * | 1 | 排油管夹 |
| 16 | 502752 | * | * | * | * | * | * | * | * | * | 1 | 下轴中轴套油塞 |
| 17 | 411389 | * | * | * | * | * | * | * | * | * | 1 | 配油器回油组件 |
| 18 | 502643-002 | * | * | * | * | * | * | * | * | * | 1 | 配油器回油管 |
| 19 | 411390 | * | * | * | * | * | * | * | * | * | 1 | 回油管头 |
| 20 | 998-833 | * | * | * | * | * | * | * | * | * | 1 | 回油管头紧固螺钉 |
| 21 | 502573 | * | * | * | * | * | * | * | * | * | 1 | 下轴齿轮箱供油组件 |
| 22 | 117592 | * | * | * | * | * | * | * | * | * | 1 | 下轴齿轮箱供油管接头 |
| 23 | 282225 | * | * | * | * | * | * | * | * | * | 1 | 油量调节阀出油管 |
| 24 | 411207 | * | * | * | * | * | * | * | * | * | 1 | 油泵组件 |
| 25 | 411203 | * | * | * | * | * | * | * | * | * | 1 | 油泵体 |
| 26 | 411147 | * | * | * | * | * | * | * | * | * | 1 | 油泵齿轮 |
| 27 | 504007 | * | * | * | * | * | * | * | * | * | 2 | 油泵齿轮螺钉 |
| 28 | 411210 | * | * | * | * | * | * | * | * | * | 1 | 螺旋轴 |
| 29 | 540555 | * | * | * | * | * | * | * | * | * | 1 | 油泵活塞 |
| 30 | 417873 | * | * | * | * | * | * | * | * | * | 1 | 活塞弹簧 |
| 31 | 411211 | * | * | * | * | * | * | * | * | * | 1 | 活塞弹簧架 |
| 32 | 504010-451 | * | * | * | * | * | * | * | * | * | 1 | 活塞弹簧架螺钉 |
| 33 | 544285 | * | * | * | * | * | * | * | * | * | 2 | 油泵固定螺钉 |
| 34 | 282219 | * | * | * | * | * | * | * | * | * | 1 | 油量调节阀组件 |
| 35 | 282221 | * | * | * | * | * | * | * | * | * | 1 | 调节阀体 |
| 36 | 282220 | * | * | * | * | * | * | * | * | * | 1 | 调节阀架 |
| 37 | 282223 | * | * | * | * | * | * | * | * | * | 1 | 旋梭油量调节阀杆 |
| 38 | 543871-003 | * | * | * | * | * | * | * | * | * | 1 | 旋梭油量调节阀杆O形圈 |
| 39 | 544212-052 | * | * | * | * | * | * | * | * | * | 1 | 油量调节阀螺钉 |
| 40 | 544449 | * | * | * | * | * | * | * | * | * | 2 | 调节阀架螺钉 |
| 41 | 282242 | * | * | * | * | * | * | * | * | * | 1 | 调节阀进油管 |

附件



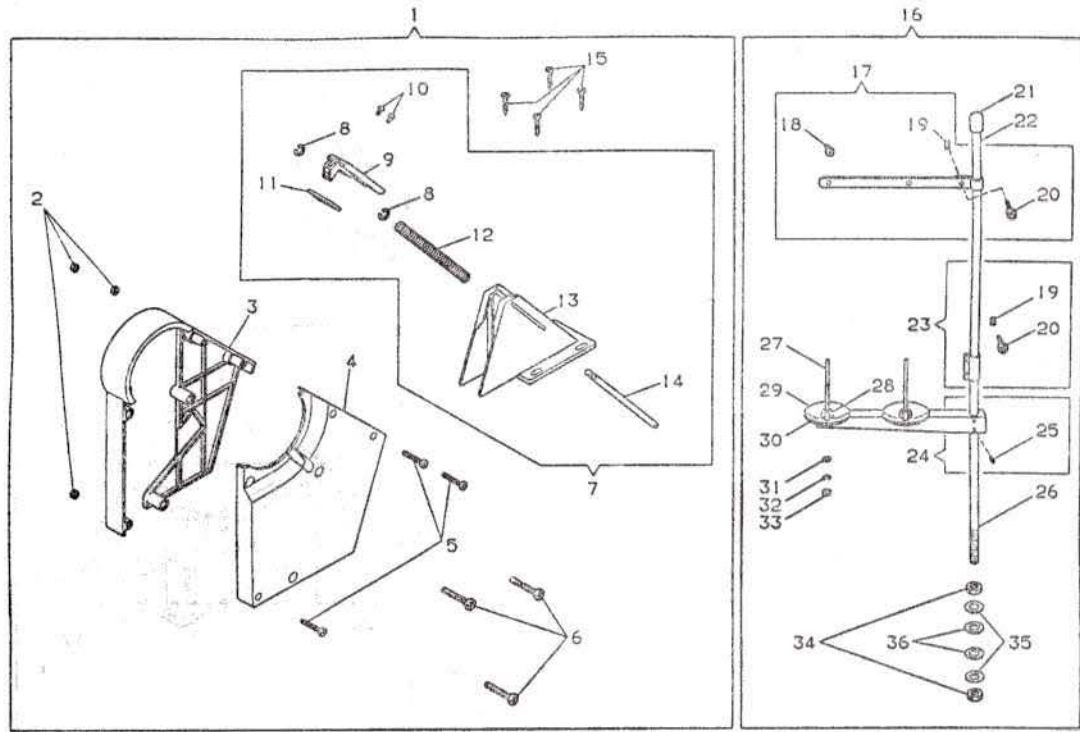
| 序号 | 件号 | A105-L | A105-M | A125-L | A125-M | A135-L | A135-M | A140-M | A143-L | A143-M | 数量 | 名称 |
|----|------------|--------|--------|--------|--------|--------|--------|--------|--------|--------|----|----------------|
| 1 | 411116 | * | * | * | * | * | * | * | * | * | 1 | 大螺丝刀 |
| 2 | 541514 | * | * | * | * | * | * | * | * | * | 1 | 小螺丝刀 |
| 3 | 411312 | — | — | — | — | — | — | * | * | * | 1 | 内六角扳手I (4mm) |
| 4 | 144465 | * | * | * | * | * | * | * | * | * | 1 | 内六角扳手II (3mm) |
| 5 | 533729 | * | * | * | * | * | * | * | * | * | 1 | 内六角扳手III(2mm) |
| 6 | 233028-452 | * | * | * | * | * | * | * | * | * | 2 | 梭心 |
| 7 | 417982 | * | * | * | * | * | * | * | * | * | 3 | 梭芯网 |
| 8 | 411110 | * | * | * | * | * | * | * | * | * | 1 | 油泵过滤器 |
| 9 | 509004 | * | * | * | * | * | * | * | * | * | 1 | 梭壳防油弹片 |
| 10 | 545082-452 | * | * | * | * | * | * | * | * | * | 1 | 附件螺钉 |
| 11 | 410186 | * | * | * | * | * | * | — | — | — | 1 | 机头支柱 |
| | 411313 | — | — | — | — | — | — | * | * | — | 1 | 机头支柱 |
| 12 | 410154-451 | * | * | * | * | * | * | * | * | * | 1 | 油箱 |
| 13 | 414407 | * | * | * | * | * | * | * | * | * | 1 | 机头罩 |
| 14 | 411196 | — | — | — | — | — | — | * | — | — | 1 | 送料控制凸轮 |
| 15 | 545136-452 | — | — | — | — | — | — | * | — | — | 2 | 凸轮固定螺钉 |
| 16 | N1906MB10 | * | * | * | * | * | * | * | * | * | 1 | 针袋(1906-07-10) |
| | N8752LB10 | — | — | — | — | — | — | * | — | — | 1 | 针袋(8752-64-10) |
| 17 | 548709 | — | — | — | — | — | — | — | * | * | 1 | 扳手(8/10) |

油盘、膝提组件



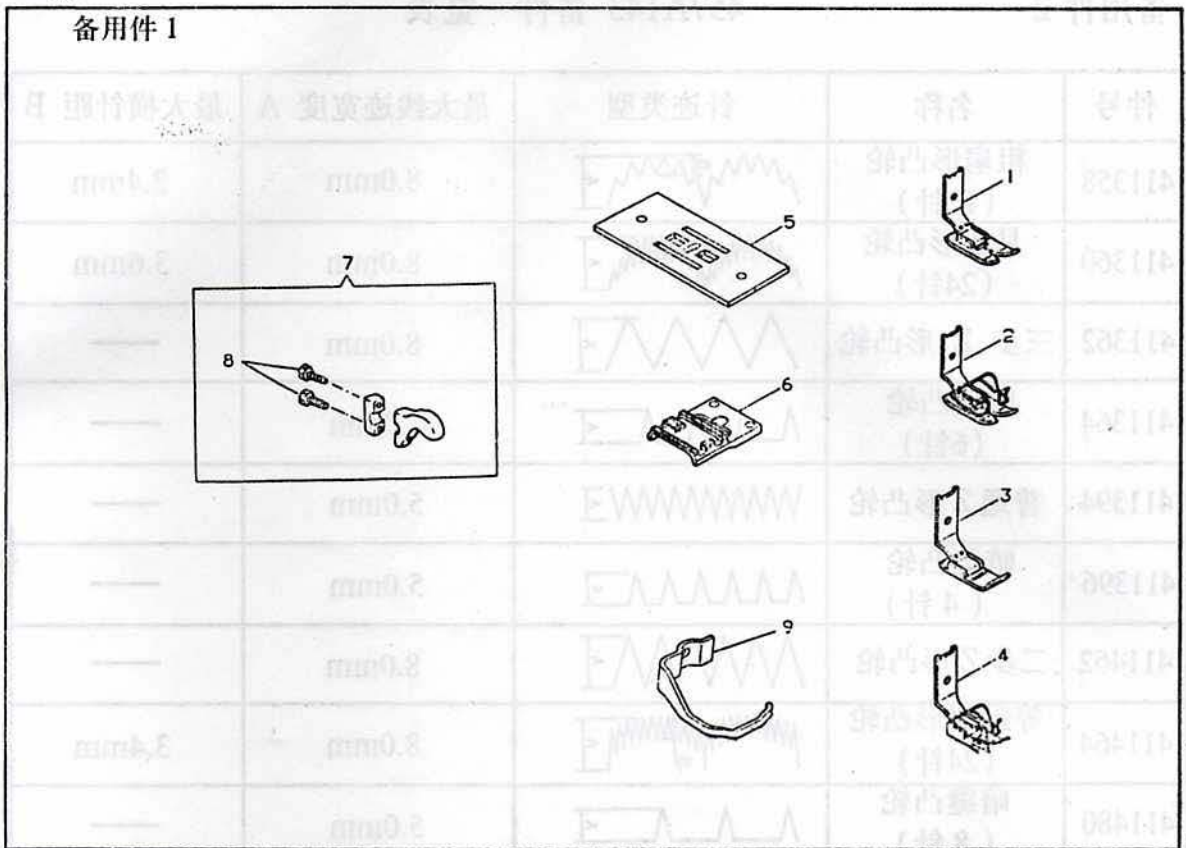
| 序号 | 件号 | A105-L | | | | | | A105-M | | | | | | A125-L | | | | | | A125-M | | | | | | A135-L | | | | | | A135-M | | | | | | A140-M | | | | | | A143-L | | | | | | A143-M | | | | | | 数量 | 名称 |
|----|------------|--------|---|--------|---|--------|---|--------|---|--------|---|--------|---|--------|---|--------|---|--------|---|--------|---|--------|---|--------|---|--------|---|--------|---|--------|---|--------|---|--------|---|--------|--------------|--------|--|--|--|--|--|--------|--|--|--|--|--|--------|--|--|--|--|--|----|----|
| | | A105-L | | A105-M | | A125-L | | A125-M | | A135-L | | A135-M | | A140-M | | A143-L | | A143-M | | A105-L | | A105-M | | A125-L | | A125-M | | A135-L | | A135-M | | A140-M | | A143-L | | A143-M | | | | | | | | | | | | | | | | | | | | | |
| 1 | 282229 | * | * | * | * | * | * | * | * | * | * | * | * | * | * | * | * | * | * | * | * | * | * | * | * | * | * | * | * | * | * | * | * | * | * | 1 | 油盘膝提组件 | | | | | | | | | | | | | | | | | | | | |
| 2 | 282230 | * | * | * | * | * | * | * | * | * | * | * | * | * | * | * | * | * | * | * | * | * | * | * | * | * | * | * | * | * | * | * | * | * | * | 1 | 油盘组件 | | | | | | | | | | | | | | | | | | | | |
| 3 | 545036-819 | * | * | * | * | * | * | * | * | * | * | * | * | * | * | * | * | * | * | * | * | * | * | * | * | * | * | * | * | * | * | * | * | * | * | 1 | 排油螺钉 | | | | | | | | | | | | | | | | | | | | |
| 4 | 545754 | * | * | * | * | * | * | * | * | * | * | * | * | * | * | * | * | * | * | * | * | * | * | * | * | * | * | * | * | * | * | * | * | * | * | 1 | 排油螺钉垫圈 | | | | | | | | | | | | | | | | | | | | |
| 5 | 502987 | * | * | * | * | * | * | * | * | * | * | * | * | * | * | * | * | * | * | * | * | * | * | * | * | * | * | * | * | * | * | * | * | * | * | 1 | 倒缝顶杆孔塞子 | | | | | | | | | | | | | | | | | | | | |
| 6 | 411137 | * | * | * | * | * | * | * | * | * | * | * | * | * | * | * | * | * | * | * | * | * | * | * | * | * | * | * | * | * | * | * | * | * | * | 1 | 油盘 | | | | | | | | | | | | | | | | | | | | |
| 7 | 411128 | * | * | * | * | * | * | * | * | * | * | * | * | * | * | * | * | * | * | * | * | * | * | * | * | * | * | * | * | * | * | * | * | * | * | 1 | 膝提控制轴挡圈 | | | | | | | | | | | | | | | | | | | | |
| 8 | 411173 | * | * | * | * | * | * | * | * | * | * | * | * | * | * | * | * | * | * | * | * | * | * | * | * | * | * | * | * | * | * | * | * | * | * | 1 | 油盘垫 | | | | | | | | | | | | | | | | | | | | |
| 9 | 368377 | * | * | * | * | * | * | * | * | * | * | * | * | * | * | * | * | * | * | * | * | * | * | * | * | * | * | * | * | * | * | * | * | * | * | 4 | 机头座垫 | | | | | | | | | | | | | | | | | | | | |
| 10 | 411114 | * | * | * | * | * | * | * | * | * | * | * | * | * | * | * | * | * | * | * | * | * | * | * | * | * | * | * | * | * | * | * | * | * | * | 1 | 膝提控制开关倒缝套圈组件 | | | | | | | | | | | | | | | | | | | | |
| 11 | 504048 | * | * | * | * | * | * | * | * | * | * | * | * | * | * | * | * | * | * | * | * | * | * | * | * | * | * | * | * | * | * | * | * | * | * | 1 | 套圈固定螺钉 | | | | | | | | | | | | | | | | | | | | |
| 12 | 502937 | * | * | * | * | * | * | * | * | * | * | * | * | * | * | * | * | * | * | * | * | * | * | * | * | * | * | * | * | * | * | * | * | * | * | 1 | 倒缝杆销 | | | | | | | | | | | | | | | | | | | | |
| 13 | 502996 | * | * | * | * | * | * | * | * | * | * | * | * | * | * | * | * | * | * | * | * | * | * | * | * | * | * | * | * | * | * | * | * | * | * | 1 | 膝提控制轴组件 | | | | | | | | | | | | | | | | | | | | |
| 14 | 500785-850 | * | * | * | * | * | * | * | * | * | * | * | * | * | * | * | * | * | * | * | * | * | * | * | * | * | * | * | * | * | * | * | * | * | * | 1 | 曲柄限位调节螺母 | | | | | | | | | | | | | | | | | | | | |
| 15 | 500271-833 | * | * | * | * | * | * | * | * | * | * | * | * | * | * | * | * | * | * | * | * | * | * | * | * | * | * | * | * | * | * | * | * | * | * | 1 | 曲柄限位调节螺钉 | | | | | | | | | | | | | | | | | | | | |
| 16 | 87018 | * | * | * | * | * | * | * | * | * | * | * | * | * | * | * | * | * | * | * | * | * | * | * | * | * | * | * | * | * | * | * | * | * | * | 1 | 膝提控制扭簧 | | | | | | | | | | | | | | | | | | | | |
| 17 | 508501 | * | * | * | * | * | * | * | * | * | * | * | * | * | * | * | * | * | * | * | * | * | * | * | * | * | * | * | * | * | * | * | * | * | * | 1 | 膝提曲柄连杆 | | | | | | | | | | | | | | | | | | | | |
| 18 | 503000 | * | * | * | * | * | * | * | * | * | * | * | * | * | * | * | * | * | * | * | * | * | * | * | * | * | * | * | * | * | * | * | * | * | * | 1 | 膝提控制轴开口挡圈 | | | | | | | | | | | | | | | | | | | | |
| 19 | 508502 | * | * | * | * | * | * | * | * | * | * | * | * | * | * | * | * | * | * | * | * | * | * | * | * | * | * | * | * | * | * | * | * | * | * | 2 | 膝提曲柄连杆挡圈 | | | | | | | | | | | | | | | | | | | | |
| 20 | 502999 | * | * | * | * | * | * | * | * | * | * | * | * | * | * | * | * | * | * | * | * | * | * | * | * | * | * | * | * | * | * | * | * | * | * | 1 | 膝提摆轴组件 | | | | | | | | | | | | | | | | | | | | |
| 21 | 502720 | * | * | * | * | * | * | * | * | * | * | * | * | * | * | * | * | * | * | * | * | * | * | * | * | * | * | * | * | * | * | * | * | * | * | 1 | 膝提操纵杆接头 | | | | | | | | | | | | | | | | | | | | |
| 22 | 500332-850 | * | * | * | * | * | * | * | * | * | * | * | * | * | * | * | * | * | * | * | * | * | * | * | * | * | * | * | * | * | * | * | * | * | * | 2 | 操纵杆接头紧固螺钉 | | | | | | | | | | | | | | | | | | | | |
| 23 | 502583-945 | * | * | * | * | * | * | * | * | * | * | * | * | * | * | * | * | * | * | * | * | * | * | * | * | * | * | * | * | * | * | * | * | * | * | 1 | 膝碰组件 | | | | | | | | | | | | | | | | | | | | |
| 24 | 416725 | * | * | * | * | * | * | * | * | * | * | * | * | * | * | * | * | * | * | * | * | * | * | * | * | * | * | * | * | * | * | * | * | * | * | 1 | 操纵板软垫 | | | | | | | | | | | | | | | | | | | | |
| 25 | 502583 | * | * | * | * | * | * | * | * | * | * | * | * | * | * | * | * | * | * | * | * | * | * | * | * | * | * | * | * | * | * | * | * | * | * | 1 | 操纵杆 | | | | | | | | | | | | | | | | | | | | |
| 26 | 502587-002 | * | * | * | * | * | * | * | * | * | * | * | * | * | * | * | * | * | * | * | * | * | * | * | * | * | * | * | * | * | * | * | * | * | * | 1 | 抬压脚顶销 | | | | | | | | | | | | | | | | | | | | |
| 27 | 546920-001 | * | * | * | * | * | * | * | * | * | * | * | * | * | * | * | * | * | * | * | * | * | * | * | * | * | * | * | * | * | * | * | * | * | * | 6 | 机头连接钩座钉 | | | | | | | | | | | | | | | | | | | | |
| 28 | 540522 | * | * | * | * | * | * | * | * | * | * | * | * | * | * | * | * | * | * | * | * | * | * | * | * | * | * | * | * | * | * | * | * | * | * | 2 | 机头连接钩 | | | | | | | | | | | | | | | | | | | | |
| 29 | 368381 | * | * | * | * | * | * | * | * | * | * | * | * | * | * | * | * | * | * | * | * | * | * | * | * | * | * | * | * | * | * | * | * | * | * | 2 | 机头连接钩座 | | | | | | | | | | | | | | | | | | | | |
| 30 | 368380 | * | * | * | * | * | * | * | * | * | * | * | * | * | * | * | * | * | * | * | * | * | * | * | * | * | * | * | * | * | * | * | * | * | * | 2 | 油盘座垫 | | | | | | | | | | | | | | | | | | | | |
| 31 | 368379 | * | * | * | * | * | * | * | * | * | * | * | * | * | * | * | * | * | * | * | * | * | * | * | * | * | * | * | * | * | * | * | * | * | * | 2 | 油盘支座 | | | | | | | | | | | | | | | | | | | | |

皮带罩、过线器


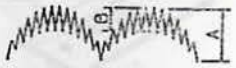


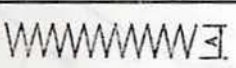







| 序号 | 件号 | | | | | | | | | 数量 | 名称 | |
|----|------------|--------|--------|--------|--------|--------|--------|--------|--------|----|----|---------|
| | | A105-L | A105-M | A125-L | A125-M | A135-L | A135-M | A140-M | A143-L | | | A143-M |
| 1 | 282231-451 | * | * | * | * | * | * | * | * | * | 1 | 皮带罩组件 |
| 2 | 541165-001 | * | * | * | * | * | * | * | * | * | 3 | 皮带罩螺钉螺母 |
| 3 | 282232-451 | * | * | * | * | * | * | * | * | * | 1 | 皮带罩 |
| 4 | 282233-451 | * | * | * | * | * | * | * | * | * | 1 | 皮带罩盖 |
| 5 | 544212-007 | * | * | * | * | * | * | * | * | * | 3 | 皮带罩盖螺钉 |
| 6 | 544213-058 | * | * | * | * | * | * | * | * | * | 3 | 皮带罩螺钉 |
| 7 | 550165-451 | * | * | * | * | * | * | * | * | * | 1 | 皮带后罩组件 |
| 8 | 408913 | * | * | * | * | * | * | * | * | * | 2 | 挡圈 |
| 9 | 550167-451 | * | * | * | * | * | * | * | * | * | 1 | 移动块 |
| 10 | 544211-053 | * | * | * | * | * | * | * | * | * | 2 | 滑块螺钉 |
| 11 | 550168 | * | * | * | * | * | * | * | * | * | 1 | 滑块 |
| 12 | 368279 | * | * | * | * | * | * | * | * | * | 1 | 弹簧 |
| 13 | 550166-451 | * | * | * | * | * | * | * | * | * | 1 | 皮带后罩 |
| 14 | 550169 | * | * | * | * | * | * | * | * | * | 1 | 弹簧导丝 |
| 15 | 549398 | * | * | * | * | * | * | * | * | * | 4 | 皮带罩木螺钉 |
| 16 | 376392-453 | * | * | * | * | * | * | * | * | * | 1 | 过线架组件 |
| 17 | 376393-453 | * | * | * | * | * | * | * | * | * | 1 | 线架过线杆 |
| 18 | 411143 | * | * | * | * | * | * | * | * | * | 2 | 过线套 |
| 19 | 541183 | * | * | * | * | * | * | * | * | * | 3 | 接头螺母 |
| 20 | 544213-023 | * | * | * | * | * | * | * | * | * | 3 | 线架杆接头螺钉 |
| 21 | 411133 | * | * | * | * | * | * | * | * | * | 1 | 线架杆顶防护帽 |
| 22 | 411127-453 | * | * | * | * | * | * | * | * | * | 1 | 线架杆上节 |
| 23 | 411129-453 | * | * | * | * | * | * | * | * | * | 1 | 线架杆接头 |
| 24 | 411135-453 | * | * | * | * | * | * | * | * | * | 1 | 线架过线杆 |
| 25 | 504029 | * | * | * | * | * | * | * | * | * | 2 | 线架过线杆螺钉 |
| 26 | 414488-453 | * | * | * | * | * | * | * | * | * | 1 | 线架杆下节 |
| 27 | 411134 | * | * | * | * | * | * | * | * | * | 2 | 线盘钉 |
| 28 | 546893 | * | * | * | * | * | * | * | * | * | 2 | 线塑撑架 |
| 29 | 411139 | * | * | * | * | * | * | * | * | * | 2 | 线盘软垫 |
| 30 | 411138-453 | * | * | * | * | * | * | * | * | * | 2 | 线盘 |
| 31 | 543803-004 | * | * | * | * | * | * | * | * | * | 2 | 线盘钉垫圈 |
| 32 | 543805-004 | * | * | * | * | * | * | * | * | * | 2 | 线盘钉弹簧垫圈 |
| 33 | 541166-004 | * | * | * | * | * | * | * | * | * | 2 | 线盘钉螺母 |
| 34 | 414486 | * | * | * | * | * | * | * | * | * | 2 | 线架杆螺母 |
| 35 | 414487 | * | * | * | * | * | * | * | * | * | 2 | 线架杆垫圈 |
| 36 | 368480 | * | * | * | * | * | * | * | * | * | 2 | 线架杆橡胶垫 |

备用件 1



| 序号 | 件号 | | | | | | | | | 数量 | 名称 | | |
|----|--------|--------|--------|--------|--------|--------|--------|--------|--------|----|----|--------|-------------|
| | | A105-L | A105-M | A125-L | A125-M | A135-L | A135-M | A140-M | A143-L | | | A143-M | |
| 1 | 503689 | * | * | - | - | * | * | * | * | * | * | 1 | 压脚 |
| 2 | 503822 | * | * | - | - | * | * | * | * | * | * | 1 | 压脚 |
| 3 | 503660 | - | - | * | * | - | - | - | - | - | - | 1 | 压脚 |
| 4 | 503809 | - | - | * | * | - | - | - | - | - | - | 1 | 压脚 |
| 5 | 507659 | - | - | * | * | - | - | - | - | - | - | 1 | 针板 |
| 6 | 517649 | - | - | * | * | * | * | - | - | * | * | 1 | 送料牙 |
| 7 | 411243 | * | * | * | * | * | * | - | - | * | * | 1 | 脚踏控制开关反向送料块 |
| 8 | 549163 | * | * | * | * | * | * | - | - | * | * | 2 | 送料块螺钉 |
| 9 | 282116 | * | * | * | * | * | * | * | * | * | * | 1 | 护针板 |

| 件号 | 名称 | 针迹类型 | 最大线迹宽度 A | 最大横针距 |
|--------|-----------------|---|----------|-------|
| 411358 | 粗扇形凸轮 (12针) |  | 8.0mm | 2.4mm |
| 411360 | 月牙形凸轮 (24针) |  | 8.0mm | 3.6mm |
| 411362 | 三步 Z 形凸轮 |  | 8.0mm | — |
| 411364 | 暗缝凸轮 (6针) |  | 5.0mm | — |
| 411394 | 普通 Z 形凸轮 |  | 5.0mm | — |
| 411396 | 暗缝凸轮 (4针) |  | 5.0mm | — |
| 411462 | 二步 Z 形凸轮 |  | 8.0mm | — |
| 411464 | 等距扇形凸轮 (24针) |  | 8.0mm | 3.4mm |
| 411480 | 暗缝凸轮 (8针) |  | 5.0mm | — |
| 411482 | 暗缝凸轮 (12针) |  | 5.0mm | — |

有关上述的 选用凸轮可与 24 针迹等距扇形标准凸轮 411295 互换;
最大线迹宽度 8.0mm, 最大横针距 2.6mm。